

FASTCAM Nova S Series

Hardware Manual

Rev. 4.17 E

Photron

WARNING

This equipment has been tested and found to comply with the limits for a Class A digital device, pursuant to part 15 of the FCC Rules. These limits are designed to provide reasonable protection against harmful interference when the equipment is operated in a commercial environment. This equipment generates, uses, and can radiate radio frequency energy and, if not installed and used in accordance with the instruction manual, may cause harmful interference to radio communications. Operation of this equipment in a residential area is likely to cause harmful interference in which case the user will be required to correct the interference at his own expense.

CAUTION:

Any changes or modifications not expressly approved by the party responsible for compliance could void the user's authority to operate the equipment.

The copyright of this manual is held by PHOTRON LIMITED.

Product specifications and manual contents are subject to change without notice.

PHOTRON LIMITED bears no responsibility for any results by using our products nor by applying this manual to any operations.

Introduction

Thank you for your purchase of Photron's high-speed camera system, the "FASTCAM Nova S series" (referred to below as the system).

This manual is the hardware manual for **Nova S6** (hereafter S6), **Nova S9** (hereafter S9), **Nova S12** (hereafter S12), **Nova S16** (hereafter S16), and **Nova S20** (hereafter S20).

For Photron FASTCAM Viewer 4 (PFV4), please refer to the "PFV4 User's Manual".

This manual contains the operating instructions and warnings necessary for using the system. Before using the system, read the entire manual.

If any part of this manual is unclear, contact Photron using the contact information printed at the back of the manual.

After you finish reading the manual, store it in a safe place along with the warranty card and refer back to it when necessary.

Using the Manual

This section explains the layout of the manual.

- Introduction

The introduction explains the manual and safety precautions.

- Chapter 1, Setup

This chapter gives an overview of the components that make up the system. It also explains basic keypad operation and a list of items that should be checked before using the system.

- Chapter 2, Recording

This chapter explains operations related to recording.

- Chapter 3, Product Specifications

This chapter explains the system's specifications.

- Chapter 4, Warranty





This chapter explains about the warranty.

- Chapter 5, Contacting Photron

This chapter lists the contact information to use when contacting Photron if the system malfunctions or if a portion of the manual is unclear.

Manual Notation

The following icons and symbols are used in the explanations in this manual.

Icon/Symbol	Description
 IMPORTANT	This symbol indicates content that should always be read.
 CAUTION	This symbol indicates instructions that should always be followed when using the software, or things to be careful of when using the software.
 NOTE	This symbol indicates supplementary items to be aware of when using the system.
 REFERENCE	This symbol indicates the location of a reference.
“ ”	This symbol is used to indicate the names of items on a screen, references, dialog names, and connectors.
[]	This symbol is used to indicate menu names, and sub-menu names.

Using the System Safely and Correctly

To prevent injury to yourself and others, and to prevent damage to property, carefully observe the following safety precautions.

Photron has given its full attention to the safety of this system. However, the extent of damage and injury potentially caused by ignoring the content of the safety precautions and using the system incorrectly is explained next. Pay careful attention to the content of the safety precautions when using the system.



Warning

This symbol indicates actions that carry the risk that a person could receive a serious injury.



Caution

This symbol indicates actions that carry the risk that a person could receive a moderate injury, or that damage to physical property might occur.

- The safety precautions to be observed are explained with the following symbols.



This symbol indicates actions that require caution.



This symbol indicates actions that are prohibited and must be avoided.



This symbol indicates actions that must always be performed.



Warning



- Do not perform actions that will damage the AC cable or plug.
Do not damage the cable, modify it, use it near a heater, excessively bend, twist or pull on it, place heavy objects on it, or bundle it.
Using the cable when damaged can cause fire, electric shock, or a short circuit.



- Do not use the system in a manner which will exceed the rating of the power outlet or wiring equipment used.
Exceeding the power rating might cause a fire from excessive heat.



- Do not insert metallic objects inside, or pour liquids such as water on, the system.
Doing so can cause fire, electric shock, or malfunction from short circuit or heat.



- Do not disassemble or modify the system.
There are high voltages inside the system that can cause electric shock.



- Do not plug in or unplug the power cable with wet hands.
Doing so can cause electric shock.



- Make sure the power plug is fully insert into the socket.
Not fully plugging in the power cable can cause fire from electric shock or heat.



- When something is wrong with the system, unplug the power cable immediately.
 - When a foreign substance or liquid, such as metal or water, gets inside.
 - When the outer case is broken or damaged, such as from a fall.
 - When the system emits smoke, a strange smell, or strange sound.Using the system in these conditions might cause a fire or electric shock.



- Do not use the accessories by the usage that a manufacturer does not specify.
It may cause damage of protection.



Caution



- Always unplug the system when cleaning it or when it is unused for a long period of time. Leaving or storing the system connected to the power source might cause fire from insulation deterioration or electrical discharge.



- Consult Photron in advance when you perform an event by which laser light or direct rays fall on the image sensor surface.



- Do not set the system in a location where the temperature gets unusually hot. The trunk and inside of a car can get especially hot in summer. Doing so can cause the outer case and internal components to deteriorate or cause a fire.



- Do not place the system in a location prone to oily smoke or steam, or in a location with a lot of humidity or dust. Oil, moisture, and dust conduct electricity, which can cause a fire or electric shock.



- Use S6/9/12/16 in an environment with an ambient temperature of -10 to +45 °C, humidity of 80 % RH or lower, maximum altitude of 2,000 m or lower, and no condensation.

Use in a condition out of the above limits can cause malfunction.



- Use S20 in an environment with an ambient temperature of -10 to +40 °C, humidity of 80 % RH or lower, maximum altitude of 2,000 m or lower, and no condensation.

Use in a condition out of the above limits can cause malfunction.



- Do not store the equipment in a location where the temperature goes below -20 °C or higher than +60 °C. Be sure not to allow condensation to form inside the system.



- When shipping, remove the connecting cable and use the original packaging or a dedicated carrying case.

Do not ship the equipment in an environment where the temperature goes below -20 °C or higher than +60 °C. Also, prevent condensation from forming during shipment.



Caution



- This system has a dedicated handle for transportation and installation of camera. Be sure to fix the equipment using a stand, tripod, etc when to record, and do not record while the camera is being carried with the handle held.



- When installing the camera with a tripod, check the tripod load capacity and be careful not to exceed the load bearing capacity.
Also, when using a tripod, make sure that the tripod, tripod screw, panhead, and others are properly set, and be careful not to let the tripod fall down.



- Although this camera can be used outdoor, the AC adapter is not unit is not usable outdoor. When using the system outdoors, prepare another power supply.



- Depending on the temperature of this system at startup, startup may take time.



Handling of the AC Adapter

To ensure safe use of the Photron FASTCAM series, please follow the instructions for proper storage of the supplied AC adapter.

If there is any problem with the AC adapter or cable, stop using it immediately and contact your local Photron office.

■ Storage Method

- When storing the AC adapter or cable, make sure that no stress is placed on the root of the AC adapter or the cable.
- Do not wrap the cable around the AC adapter, but loosely bundle it.
- When storing the AC adapter in the camera's carrying case, store it so that no strain is placed on the root of the AC adapter and the cable.



Bad example

Cable is wound too tightly.



Good example

No strain on the root.



Cable is loosely bundled.

■ Appearance Check

- Before use, check the appearance of the AC adapter and cable for any abnormalities.
- If there are any cracks or tears on the surface, it may cause fire, electric shock, or short circuit.

Immediately stop using the AC adapter and contact your local Photron office.





European Union (and EEA) only



“CE” mark indicates that this product complies with the European requirements for safety, health, environment, and customer protection. “CE” mark equipments are intended for sales in Europe.



These symbols indicate that this product is not to be disposed of with your household waste, according to the WEEE Directive (2002/96/EC), the Battery Directive (2006/66/EC) and/or your national laws implementing those Directives.



This product should be handed over to a designated collection point, e.g., on an authorized one-for-one basis when you buy a new similar product or to an authorized collection site for recycling waste electrical and electronic equipment (EEE) and batteries and accumulators. Improper handling of this type of waste could have a possible impact on the environment and human health due to potentially hazardous substances that are generally associated with EEE. Your cooperation in the correct disposal of this product will contribute to the effective usage of natural resources.

For more information about the recycling of this product, contact your local city office, waste authority, approved scheme or your household waste disposal service or visit www.photron.com.

(EEA: Norway, Iceland, and Liechtenstein)



This product is in conformity with the protection requirements of EU Council Directive 2014/30/EU (Class A) on the approximation of the laws of the Member States relating to electromagnetic compatibility.

Warning: This is a Class A product. In a domestic environment, this product may cause radio interference, in which case the user may be required to take adequate measures.



Cleaning of the Image Sensor Surface

Electrostatic Discharge (ESD) events may cause immediate and unrecoverable damage to the image sensor.

Read the following instructions and take EXTREME CARE when cleaning the image sensor surface.



- ALWAYS take appropriate anti-static precautions when cleaning or working near the Image sensor.
- DO NOT use any form of cleaning equipment using electrostatic or 'charged fiber' technology.



- Discharge any electrostatic build up in your body by touching a grounded metallic surface before working near the camera sensor.
- Very gently, use only clean and dry air to remove dust from surface of the image sensor.
- To remove stubborn contamination, use the highest grade (e.g., VLSI grade) pure Isopropyl alcohol (IPA) with optical wipes of 'clean room' grade.
- Extreme care must be taken! Gently wipe across the sensor in a single action.
DO NOT rub to avoid abrasive damage to delicate optical coatings on the glass surface.

Contents

Chapter 1 Setup	15
1.1 Components and Accessories	16
1.1.1 Components.....	16
1.1.2 Options.....	16
1.1.3 Type.....	17
1.2 Part Names.....	19
1.2.1 Camera Body.....	19
1.2.2 Camera Body Part Names.....	20
1.2.3 Interchangeable Lens Mount	22
1.2.4 Status Display LEDs on the Rear of the Camera Body.....	23
1.2.5 Power Supply Connector, DC Cable	24
1.2.6 Gigabit Ethernet (GbE).....	26
1.2.7 EXT-SSD Connector.....	28
1.2.8 RESET Switch.....	29
1.3 Input/Output Signal Types.....	31
1.3.1 TRIG SW IN Connector.....	31
1.3.2 INPUT 1, 2	32
1.3.3 IO INPUT Circuit Diagram.....	33
1.3.4 OUTPUT 1, 2.....	34
1.3.5 Using External Synchronization Signals	35
1.3.6 Synchronization with a variable frequency.....	37
1.3.7 Setting of Input/Output Signals and Sync Output Rate.....	38
1.3.8 IRIG IN (External Time Synchronization).....	40
1.3.9 IRIG-sync Operation.....	41
1.4 Device Connections	42
1.4.1 Minimum Equipment Connection.....	42
1.4.2 Remote Keypad (Optional).....	43
1.4.3 Connecting a Video Monitor.....	44
1.5 How to open the FAST Drive holder	45
1.6 Change attachment position of FAST Drive holder	46
Chapter 2 Recording	48
2.1 Selecting Frame Rate / Resolution	49
2.2 Selecting Shutter Speed	50

Chapter 3 Product Specifications	51
3.1 Specifications	52
3.1.1 Product Specifications.....	52
3.1.2 Other Supported Function	53
3.1.3 General Specifications.....	54
3.1.4 AC Adapter	54
3.1.5 Frame Rate and Resolution	55
3.1.6 Recordable Frames / Resolution	72
3.1.7 Recordable Time / Resolution.....	74
3.1.8 Shutter Speed List.....	77
3.1.9 Timing Diagram	78
3.1.10 Random Reset Delay / Inter Frame Time.....	83
3.2 Dimensions	88
3.2.1 Camera Body.....	88
3.2.2 AC Adapter	98
 Chapter 4 Warranty	 99
4.1 About the Warranty.....	100
 Chapter 5 Contacting Photron	 101
5.1 Contact Information	102
 A. Appendix	 103
A.1. Reference Information	104
A.1.1 Relative Spectral Response (Monochrome).....	104
A.1.2 Quantum Efficiency (Monochrome)	104
A.1.3 Relative Spectral Response (Color)	105
A.1.4 Quantum Efficiency (Color).....	105

1

Chapter 1 Setup

This chapter gives an overview of the components that make up the system. It also explains a list of items that should be checked before using the system.

1.1 Components and Accessories

1.1.1 Components

Refer to the attached packing list for this product's standard components and accessories.

1.1.2 Options

The following options are available for the system.

1. Specialized Spare Power Supply Connector (for Custom Cable)
2. Specialized Carrying Case
3. Canon EF Remote Control Mount Adapter
4. C Mount Adapter
5. M42 Mount Adapter
6. FAST Drive Holder
7. FAST Drive Cable (30 cm)
8. FAST Drive 1TB/4TB
9. FAST Dock
10. Remote Keypad with LCD, Remote Keypad Cable (3 m / 10 m)
11. Photron Master Camera Hub, Photron Camera Hub



Use only the components and accessories/options specified on the “1.1 Components and Accessories” for AC adapter / AC cable and others.

1.1.3 Type

For the system, there are monochrome and color versions, and for each of these versions, there are standard memory type of 8GB and high capacity memory types of 16GB, 32GB, 64GB, and 128GB.

When purchasing, it is possible to select from these models according to the application or your demands. The type categories are listed as follows.

◆ Camera type name and category

FASTCAM Nova S20 type 1100K-C-64GB

Camera Name Full Frame Frame Rate Frame Rate Sensor Memory

Item	list	Explanation
Full Frame Frame Rate	S6	6,400 fps
	S9	9,000 fps
	S12	12,800 fps
	S16	16,000 fps
	S20	18,750 fps
Frame Rate	1100K	1,100,000 fps
	1000K	1,000,000 fps
	900K	900,000 fps
	800K	800,000 fps
	550K	550,000 fps Supports fps up to 578,102 fps (for Nova S20, 582,352 fps) with external synchronization, shutter speed 1 μsec control type
	500K	500,000 fps Supports fps up to 541,000 fps with external synchronization, shutter speed 1 μsec control type
Sensor	M	monochrome
	C	color
Memory	8GB	8 gigabytes
	16GB	16 gigabytes
	32GB	32 gigabytes
	64GB	64 gigabytes
	128GB	128 gigabytes

NOTE

- Models with “-NV” at the end of the camera type name are NV models with some limited functions. Recording performance, such as frame rate and shutter speed, is equivalent to that of regular models.
- The HD-SDI output function and automatic exposure function are not available for NV models.



CAUTION

- Export-controlled model: type 550K, type 500K, and type 200KS are subject to certain restriction on the frame rate.
- Export-controlled model: type 550K, type 500K, and type 200KS are subject to restriction on the shutter speed.



REFERENCE

Subject to restrictions under Export Trade Control Order, your camera may NOT be used depending on the country where you intend to use. If you are considering exporting your camera, check with Photron first. Contact information is given in “5.1 Contact Information” on page 102.

1.2 Part Names

The system is composed of components including the camera body, AC adapter, and the “Photron FASTCAM Viewer” control software (referred to below as PFV).



For the camera body and the AC adapter

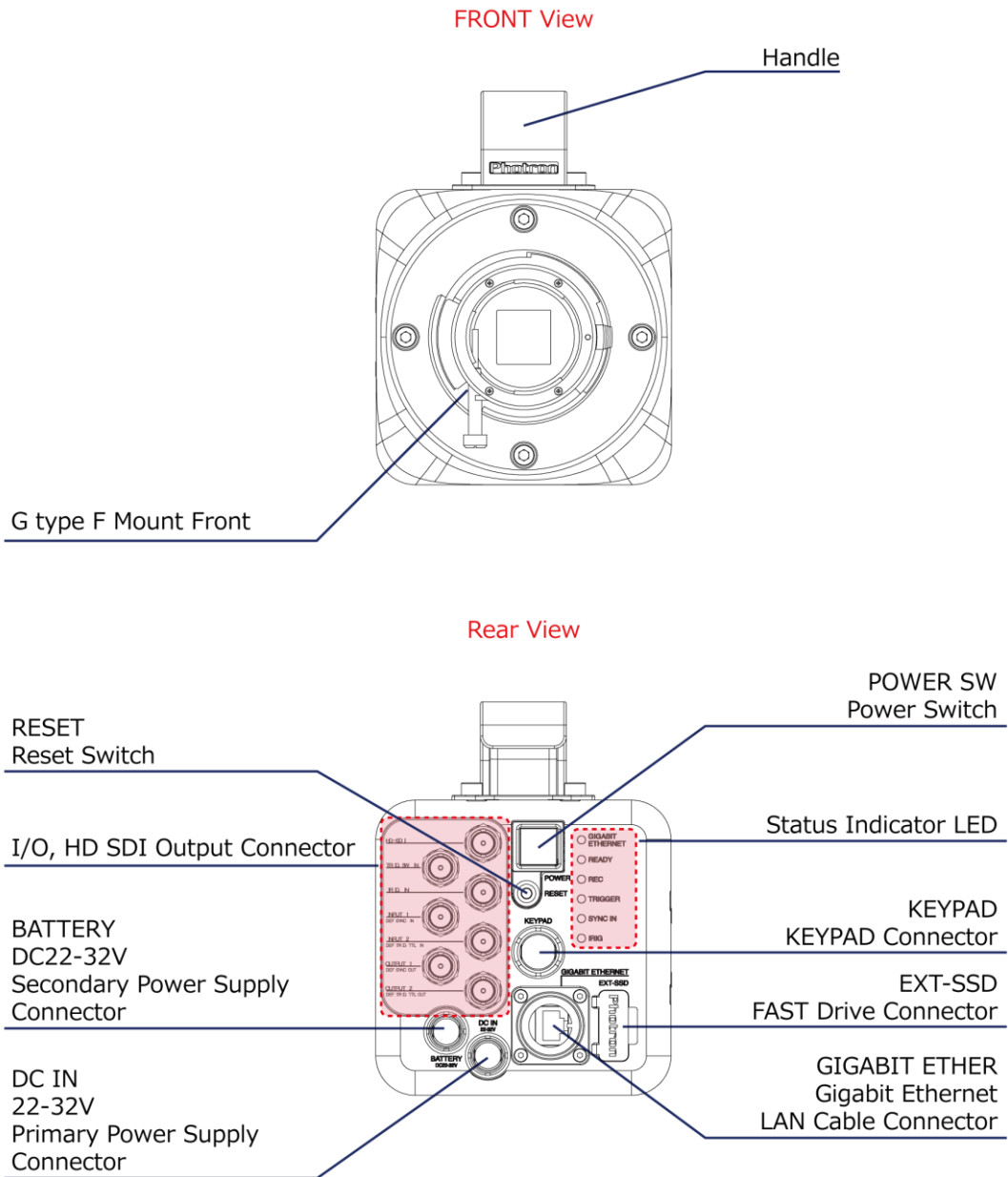
- Do not expose the camera body, AC adapter and other optional components to shock.
- Do not use in an area where flammable gas or dust is present.
- Do not place in an unstable location such as on an unstable platform or an incline.
- Do not disassemble or modify.
- Do not expose to liquids such as water.
- Do not subject to an excessive force.

1.2.1 Camera Body

The camera body contains IC memory for image recording and has been designed to be able to record high-speed images uncompressed. The back of the camera body is equipped with the video output terminals, which can playback the recorded images on a video monitor (not available for NV model), the Gigabit Ethernet interface (1GbE/10GbE), which permits full camera control and data download possible via connection to a PC; the input/output connector, which allows external synchronization signals, trigger signals, IRIG time code.

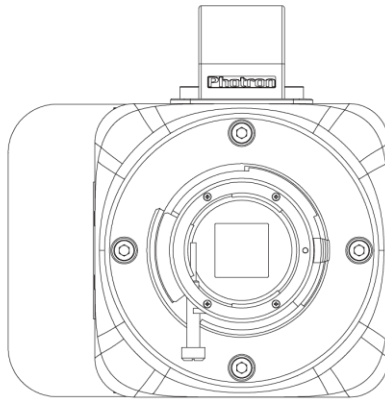
1.2.2 Camera Body Part Names

- ◆ G type F Mount, without FAST Drive Holder

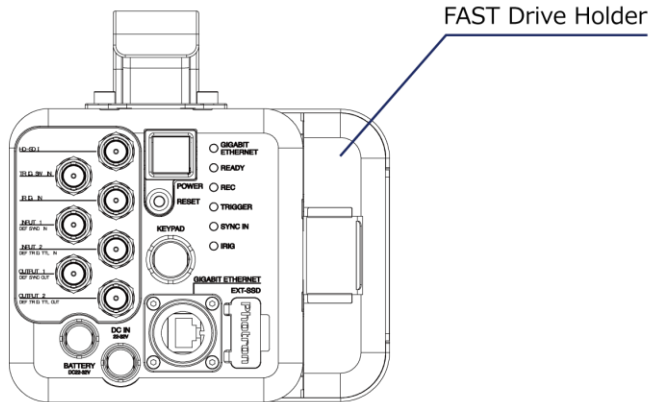


◆ G type F Mount, with FAST Drive Holder

FRONT View



Rear View

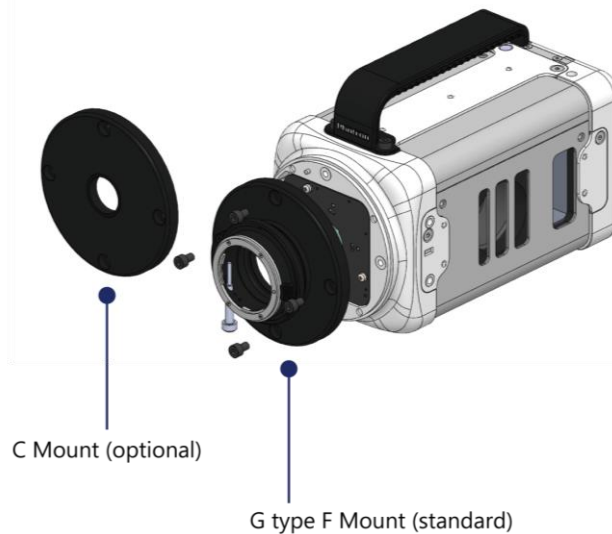


1.2.3 Interchangeable Lens Mount

The lens mount on the system can be changed according to the recording purpose. There are four types of interchangeable lens mounts, including options: “G type F Mount”, “C Mount”, “EF Mount”, and “M42 Mount”. The system has mechanical shutter as a standard feature.

◆ How to change the lens mount (G type F Mount to C Mount)

1. Remove the four M5 bolts with the hexagonal holes using the hexagonal wrench.
2. Remove the G type F Mount portion as a unit.
3. Install the C Mount unit using the bolts with hexagonal holes in the 90° diagonal holes.
4. After installation, always verify that the unit is not loose and does not rattle.



CAUTION

- For G type F Mount: Electronic aperture control for Nikon E type lenses is not supported.
- For EF Mount: Canon EF-S, EF-M, and RF type lenses cannot be attached.
- When using a C-mount or M42-mount, the following restrictions apply to the lens to be used.
C-mount: Protrusion from the lens mount flange to the image sensor (a) 7.5 mm maximum
M42-mount: Protrusion from the lens mount flange to the image sensor (a) 9.5 mm maximum



1.2.4 Status Display LEDs on the Rear of the Camera Body

There are a number of LEDs on the rear of the system's camera body. These LEDs indicate the status of the system. The function of each LED is explained here.



Item	Color	ON	FLASHING	OFF
POWER	Green	Power On	—	Power Off
GIGABIT ETHERNET	Red	The Gigabit Ethernet interface is connected	Data is transferring	The Gigabit Ethernet interface is not connected
READY	Green	—	Ready to record	Not ready to record
REC	Red	Recording	ENDLESS recording	Not recording
TRIGGER	Blue	A trigger signal is present (being input) (The LED will illuminate for 0.1 second when the trigger signal is input)	—	The trigger signal is not present
SYNC IN	Blue	Synchronization signal is not input in external synchronization mode	Synchronization signal is input in external synchronization mode	Internal synchronization mode
IRIG	Green	IRIG signal is not input in IRIG mode	IRIG signal is input in IRIG mode	IRIG mode off

◆ Illumination/blinking in operational states

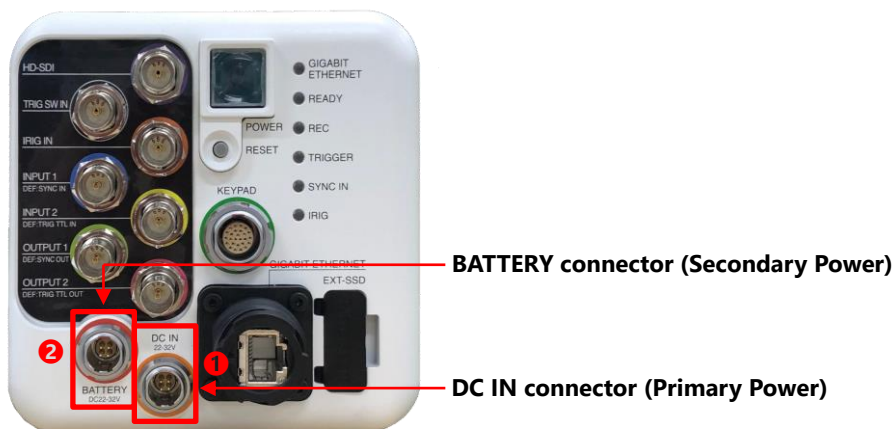
■ During low light mode operation

LEDs other than POWER (Green) and GIGABIT ETHERNET (Red) blink at a regular interval.

1.2.5 Power Supply Connector, DC Cable

This is a DC power supply input connector. Connect to the supplied AC adapter. Two power supply connectors “DC IN” and “BATTERY” are prepared for this product. “DC IN” is the primary, and it is used with priority. When the voltage supplied from “DC IN” falls below a certain level and the voltage is supplied from “BATTERY”, it will seamlessly switch to the power supply from the secondary “BATTERY”.

The cable connector is optionally available. When using other power supplies, construct a cable using the pin diagram below as a reference.



Warning

When using the connector pins directly, refer to the chart above and ensure the wiring is correct. If the wiring is incorrect, not only is there the danger of the system malfunctioning, but also of fire and electric shock.



Warning

Do not use a power supply which does not meet the system’s specifications, or a power supply you cannot guarantee the safety of.

By using a power supply out of the system specifications, not only is there the danger of the system malfunctioning, but also of fire and electric shock.






Warning

Use an external power supply with the suitable rating which was estimated by IEC/EN 61010-1 3rd Edition (compiled with CI. 6.3 and CI. 2.5) and separated from the main circuit by double insulation or reinforced insulation.



Warning

Although this camera can be used outdoors, the AC adapter is not usable outdoors. When using the system outdoors, prepare another power supply.

Power Connector Pin Diagram	Cable (Body side) Pin Diagram	Cable (Adapter side) Pin Diagram
		
ECJ.1B304.CLD	FGJ.1B.304.CYMD62Z	

Connector Name	Signal Name	Pin No.	Connector Model Name (Manufacturer)
Power connector (Body side)	+Vo	1	ECJ.1B304.CLD(LEMO)
	+Vo	2	
	GND	3	
	GND	4	
DC Cable (Body side)	+Vo	1	FGJ.1B.304.CYMD62Z (LEMO)
	+Vo	2	
	GND	3	
	GND	4	
DC Cable (Adapter side)	+Vo	1	Power pin 4 pin Type
	+Vo	2	
	GND	3	
	GND	4	

1.2.6 Gigabit Ethernet (GbE)

This system has an Ethernet connector (common RJ45 connector) for communicating with the PC.



◆ For 1GbE connection

Connect a 1000BASE-T compatible interface board (commercially available) and this product with a LAN cable. For the LAN cable, prepare a UTP or STP Cat 5e (enhanced category 5) or higher LAN cable (UTP: Unshielded Twisted Pair, STP: Shielded Twisted Pair).

Being compliant with the 1000BASE-T specification, the maximum cable length is 100 m. One PC can connect to a maximum of 64 Photron Gigabit Ethernet interface equipped cameras using a hub. When connecting multiple devices, connect through a switching hub that can connect to 1000BASE-T. The maximum length of the cable that connects the system (or PC) to the switching hub is also 100 m.

◆ For 10GbE connection

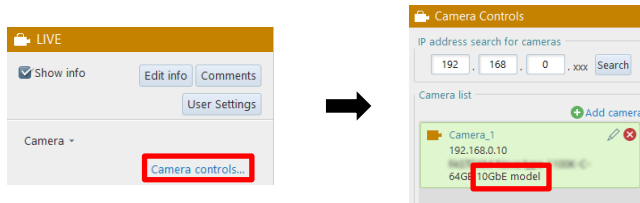
Connect a 10GBASE-T compatible interface board (commercially available) and this product with a LAN cable. For the LAN cable, prepare a Cat 7 (Category 7) or higher STP cable.

Being compliant with the 10GBASE-T specification, the maximum cable length is 100 m. One PC can connect to a maximum of 64 Photron Gigabit Ethernet interface equipped cameras using a hub. When connecting multiple devices, connect through a switching hub that can connect to 10GBASE-T. The maximum length of the cable that connects the system (or PC) to the switching hub is also 100 m.

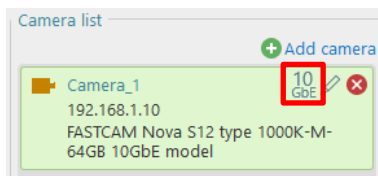


NOTE

- Photron recommends using an STP cable over long distances or in noisy locations.
- The 10GbE connection feature is supported with the Nova S6/9/12 firmware version 10.4.5 or later and any firmware version of Nova S16/20.
However, the 10GbE feature may be disabled in some cases even if the firmware version is met. Contact Photron for support.
- You can check if the 10GbE setting is enabled from [Function Panel] - [Camera controls] - [Camera list].



- If the camera has a 10GbE connection, “10GbE” will be displayed next to the [Edit] button in the camera list.



IMPORTANT

The system’s factory default IP address is below:

IP ADDRESS: 192.168.0.10

PORT: 2000 (UDP, fixed, unchangeable)

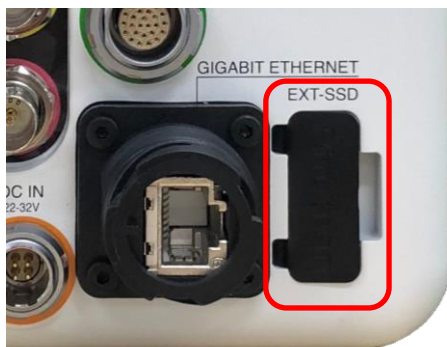


CAUTION

- Depending on the environment, 10GbE connection may not be stable. Check the operation in advance or contact Photron for support.
- When connecting via 10GbE, make sure that the PC’s network card and hub are compatible with 10GBASE-T.
If you connect the camera to a network card that does not support 10GBASE-T via a hub that supports 10GBASE-T, the PC will not be able to receive commands from the camera and the camera will freeze and will not operate properly.
Use a network card that supports 10GBASE-T.

1.2.7 EXT-SSD Connector

It is installed as standard in Nova. Remove the EXT-SSD connector cover on the back of the camera and use it.



The EXT-SSD connector is for connecting the FAST Drive for saving data. Use the optional FAST Drive exclusive cable to connect the FAST Drive.



NOTE

- The FAST Drive is hot-pluggable, so it can be connected and disconnected without turning off the camera.
- The ACCESS light (LED) lights up when connecting to the FAST Drive.
- The ACCESS light flashes when accessing or saving data.
Do not disconnect the cable when the light is flashing. Doing so may result in data corruption or failure to save the data.

REFERENCE

For details on how to use it, refer to “FAST Drive / FAST Dock User’s Manual”.

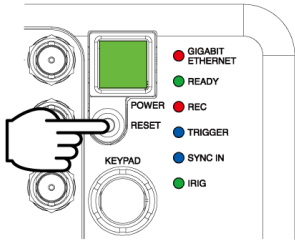
1.2.8 RESET Switch

There is RESET switch on the back of the system.

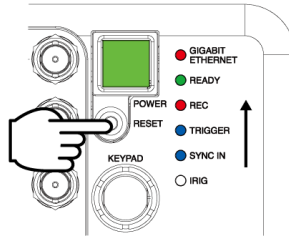
■ Camera IP Address Initialization

When the IP address is not sure, for instance after changing the address, an IP Address Initialization operation is recommended. In this case, the IP address will be reset to 192.168.0.10 as the factory settings.

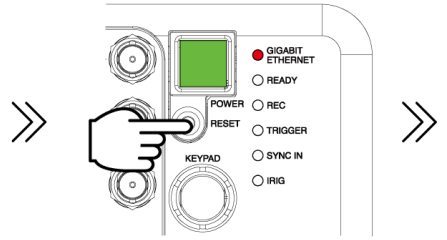
① Press and hold the RESET switch on the rear side. All LEDs light up.



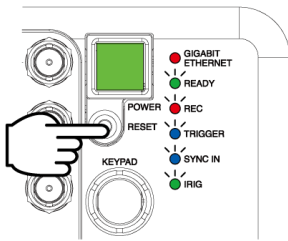
② The LEDs turn off in order from bottom to top.



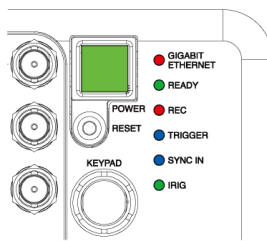
③ All LEDs except GIGABIT ETHERNET turn off.



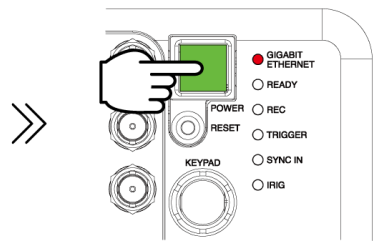
④ All LEDs except GIGABIT ETHERNET blink once.



⑤ When all the LEDs light up, release the RESET switch.



⑥ Reboot the camera. After rebooting, the IP address will be initialized.



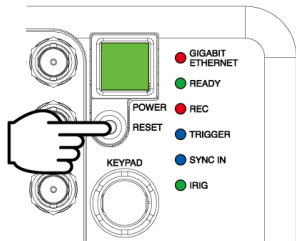
⚠ CAUTION

- If the RESET switch is released while the LEDs light up and turn off repeatedly from bottom to top, the IP address initialization will not be completed. Be sure to keep pressing the switch until all LEDs blink and then light up.
- If you continue to hold down the RESET switch after IP address initialization, “Reset to the Factory Default” will be executed.

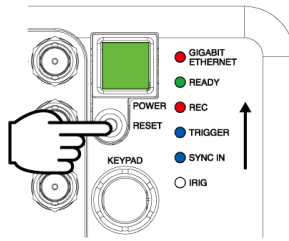
■ Reset to the Factory Default

Camera settings can be reset to the factory default state by the following procedure.

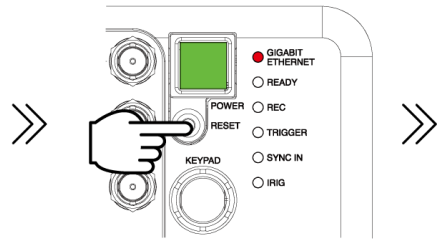
① Press and hold the RESET switch on the rear side. All LEDs light up.



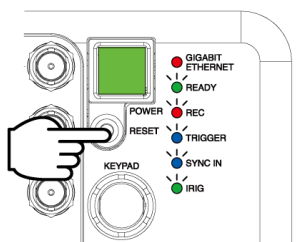
② The LEDs turn off in order from bottom to top.



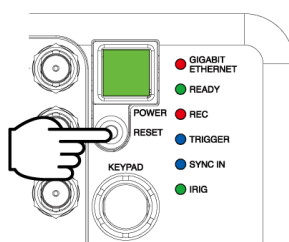
③ All LEDs except GIGABIT ETHERNET turn off.



④ All LEDs except GIGABIT ETHERNET blink once.

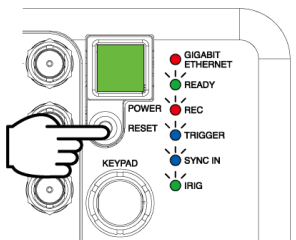


⑤ All the LEDs light up.

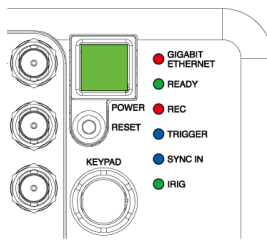


• • • × 3 times

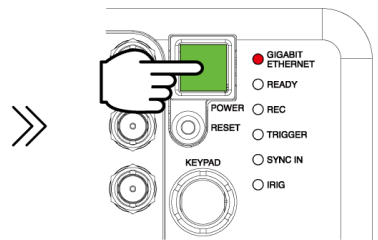
⑥ All LEDs except GIGABIT ETHERNET keep blinking.



⑦ Release the RESET switch.



⑧ Reboot the camera. After rebooting, The camera is initialized to factory default.



⚠ CAUTION

- When the LEDs light up and turn off repeatedly from bottom to top for three times and the LEDs keep blinking, the system is reset to factory default.
- If you release the RESET switch before the LEDs keep blinking, only the IP address initialization is performed.
- When the factory default is performed from PFV, all the LEDs keep lighting up, when the initialization is accomplished.

1.3 Input/Output Signal Types

With the system, many signals can be input and output through the I/O connector. Signals that can be input and output from the I/O connectors are listed below.



A signal other than the specified signal must not be input to the respective connectors.

Use extreme caution as there is a risk of damage to both, the input device and the output device.

1.3.1 TRIG SW IN Connector

This trigger is input during the READY or ENDLESS recording state by contact between the BNC connector's shield and a center pin (switch closure). The center pin normally has voltage flowing through it. Use caution to avoid contact with other pins.

Connector Name (Input System)	Menu	Signal
TRIG SW IN	None	Contact signal

1.3.2 INPUT 1, 2

The effect when a signal is input is described below and can be optionally selected and set.

The input voltage is 0 V to +12 V (H level +3.3 V to +12 V), positive or negative polarity, pulse width is 200 ns or greater.

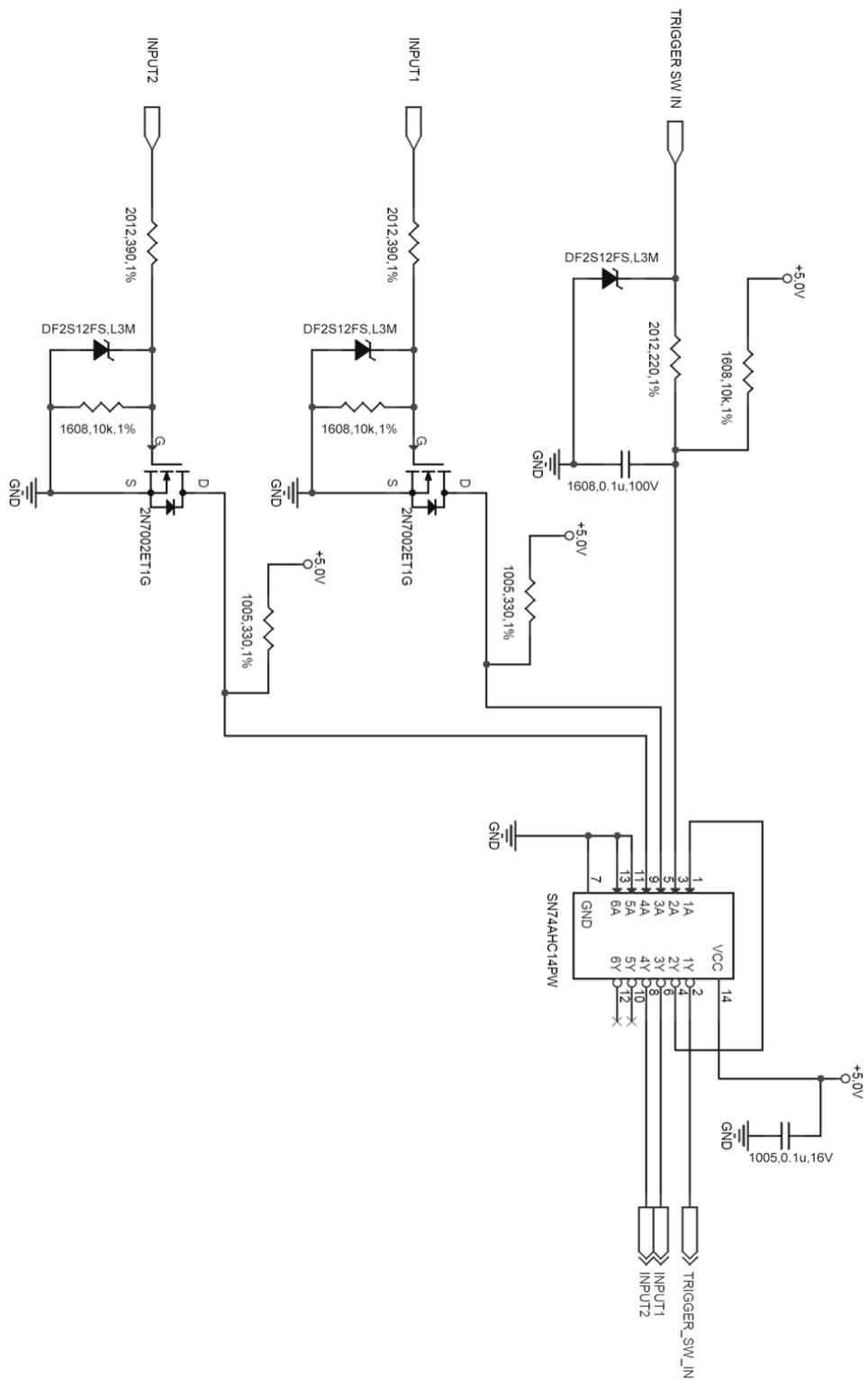
Default settings are INPUT1 connector is assigned “SYNC POS”, INPUT2 connector is assigned “TRIG POS”.

Menu Display	Description	Signal (Input Signal Conditions)
TRIG POS	Inputs a positive polarity trigger signal.	FET Input 0 V to +12 V (H level +3.3 V to +12 V), Positive Polarity
TRIG NEG	Inputs a negative polarity trigger signal.	FET Input 0 V to +12 V (H level +3.3 V to +12 V), Negative Polarity
READY POS	Inputs a positive polarity READY signal. By inputting in the live state, switch READY ON/OFF. In addition, by inputting while recording, cancel the recording state.	FET Input 0 V to +12 V (H level +3.3 V to +12 V), Positive Polarity
READY NEG	Inputs a negative polarity READY signal. By inputting in the live state, switch READY ON/OFF. In addition, by inputting while recording, cancel the recording state.	FET Input 0 V to +12 V (H level +3.3 V to +12 V), Negative Polarity
SYNC POS	Inputs the signal with positive polarity. Input the synchronization signal from the camera or external device.	FET Input 0 V to +12 V (H level +3.3 V to +12 V), Positive Polarity
SYNC NEG	Inputs the signal with negative polarity. Input the synchronization signal from the camera or external device.	FET Input 0 V to +12 V (H level +3.3 V to +12 V), Negative Polarity
EVENT POS	Input the signal with positive polarity. By inputting during recording, “Event marker” is displayed separately from the trigger point in the data after recording.	FET Input 0 V to +12 V (H level +3.3 V to +12 V), Positive Polarity
EVENT NEG	Input the signal with negative polarity. By inputting during recording, “Event marker” is displayed separately from the trigger point in the data after recording.	FET Input 0 V to +12 V (H level +3.3 V to +12 V), Negative Polarity

NOTE

The event marker can store ten positions within a sequence.

1.3.3 IO INPUT Circuit Diagram



1.3.4 OUTPUT 1, 2

These are also BNC connectors. The signals below can be changed and output from PFV. The output voltage is 0 V to +5 V, positive or negative polarity, pulse width can be changed. Default settings are OUTPUT1 connector is “SYNC POS”, OUTPUT2 is “TRIG POS”.

Menu Display	Contents	Signal Type
SYNC POS	Outputs a positive polarity vertical synchronization signal.	+5 V CMOS output, Positive Polarity
SYNC NEG	Outputs a negative polarity vertical synchronization signal.	+5 V CMOS output, Negative Polarity
EXPOSE POS	Outputs the sensor's exposure interval at H level.	+5 V CMOS output, Positive Polarity
EXPOSE NEG	Outputs the sensor's exposure interval at L level.	+5 V CMOS output, Negative Polarity
REC POS	Outputs an interval signal during recording at H level.	+5 V CMOS output, Positive Polarity
REC NEG	Outputs an interval signal during recording at L level.	+5 V CMOS output, Negative Polarity
TRIG POS	Outputs the trigger signal received by the camera at H level.	+5 V CMOS output, Positive Polarity For TRIG SW IN Normally Open, approx. 20 μ sec Normally Close, approx. 439 μ sec For TRIG TTL IN POS: approx. 100 to 112 nsec NEG: approx. 110 to 121 nsec
TRIG NEG	Outputs the trigger signal received by the camera at L level.	+5 V CMOS output, Negative Polarity For TRIG SW IN Normally Open, approx. 20 μ sec Normally Close, approx. 439 μ sec For TRIG TTL IN POS: approx. 100 to 112 nsec NEG: approx. 110 to 121 nsec
READY POS	Outputs a signal at H level during the trigger wait state. (READY in START mode.) Only valid during START, CENTER, END, and MANUAL modes.	+5 V CMOS output, Positive Polarity
READY NEG	Outputs a signal at L level during the trigger wait state. (READY in START mode.) Only valid during START, CENTER, END, and MANUAL modes.	+5 V CMOS output, Negative Polarity
IRIG RESET POS	Outputs the camera's internal IRIG reset signal (1PPS) at H level.	+5 V CMOS output, Positive Polarity
IRIG RESET NEG	Outputs the camera's internal IRIG reset signal (1PPS) at L level.	+5 V CMOS output, Negative Polarity

When using 50 cm cable from the signal generator to the camera

1.3.5 Using External Synchronization Signals

An external synchronization mode to synchronize to an external signal is provided on the system. By using an external synchronization signal, recording can be conducted using multiple cameras to synchronize the timing of the shots or to also synchronize the shots with external measuring devices and lighting. The procedure and precautions for using the external synchronization signal are explained below.

■ Inputting an External Synchronization Signal

When SYNC POS/NEG is selected for INPUT 1 or 2, an external synchronization signal can be input with the system. See the chart below for external synchronization input settings.

Menu Display	Description
OFF	Sets external synchronization off, operates independently.
ON CAM	The camera synchronizes external signals lower than the currently set frequency. The frequency set at the beginning is displayed.
ON OTHERS	The camera synchronizes the signal that was input when the setting is changed to ON OTHERS. The frequency at the time of setting change is displayed, and the system synchronizes signals lower than this frequency. After synchronization setting, shutter speed and resolution can be changed but frame rate can not be changed.

NOTE

When changing to the “ON OTHERS” setting without inputting the synchronization signal from the outside, the state will be “50 Hz(E-Sync)”.

After that, even if you input the synchronization signal, it will operate at 50 Hz so execute “ON OTHERS” setting again after inputting the synchronization signal.

CAUTION

- The frequency which can input during ON OTHERS setting is limited to integer frequency. Inputting a signal for instance at 1000.5 Hz may cause dropped frames.
- When synchronizing the system at 7,200 fps or less and 1/frame shutter speed, the exposure time is slightly shorter. For rough indication, the reduced time is approx. 0.1 μsec for 1,000 Hz operation, approx. 1.8 μsec for 50 Hz, and approx. 9 μsec for 10 Hz.

■ Outputting an External Synchronization Signal

The system can externally output a synchronization signal. See the chart below for external synchronization output settings.

Menu Display	Description	Signal Type	Delay Time
SYNC POS	Outputs a positive polarity vertical synchronization signal.	CMOS (74ACT541 buffer) output, positive polarity	S6-S16: Approx. 525 to 542 nsec S20: Approx. 402 to 414 nsec
SYNC NEG	Outputs a negative polarity vertical synchronization signal.	CMOS (74ACT541 buffer) output, negative polarity	S6-S16: Approx. 536 to 552 nsec S20: Approx. 436 to 446 nsec

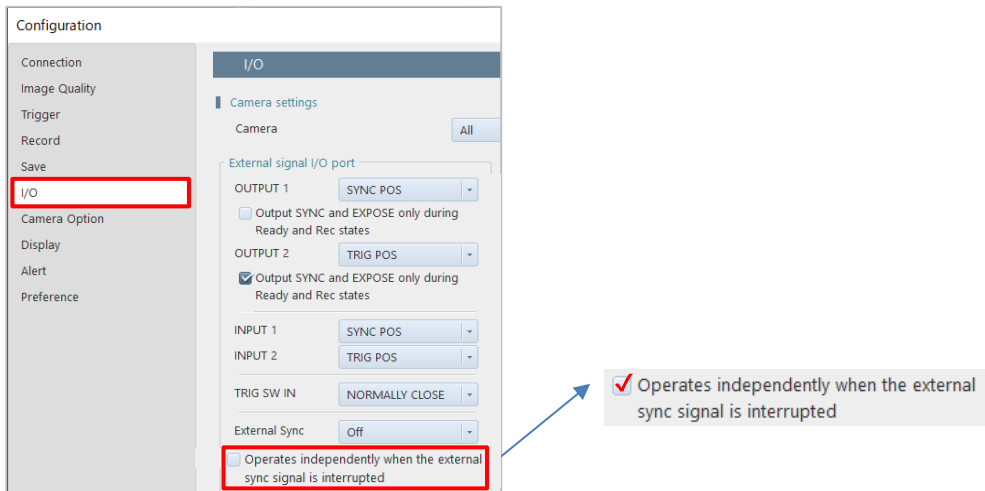
■ When the external sync signal is interrupted (S20)

When the external sync setting is “ON CAM” or “ON OTHERS”, the operation while no external sync signal input is as follows.

- No sync signal with “ON CAM” setting:
Stop updating live image (frame rate is setting value on PFV4).
- No sync signal with “ON OTHERS” setting:
Stop updating live image (frame rate synchronized with the sync signal if the sync signal was input at the time of ON OTHERS setting, or 50 fps if the sync signal was not input at the time of setting).

By checking the “Operates independently when the external sync signal is interrupted” checkbox in the External signal I/O port settings under [MENU] - [Configuration] - [I/O] in PFV4, the camera can run itself (continues updating live images) at the frame rate locked by the setting or ON OTHERS. (Unchecked in PFV4 default settings)

- “ON CAM” setting with no sync signal and with self-driving check:
Live image updates continue (frame rate is setting value on PFV4).
- “ON OTHERS” setting with no sync signal and with self-drive check:
Live image update continued (frame rate synchronized with the sync signal if the sync signal was input at the time of ON OTHERS setting, or 50 fps if the sync signal was not input at the time of setting).

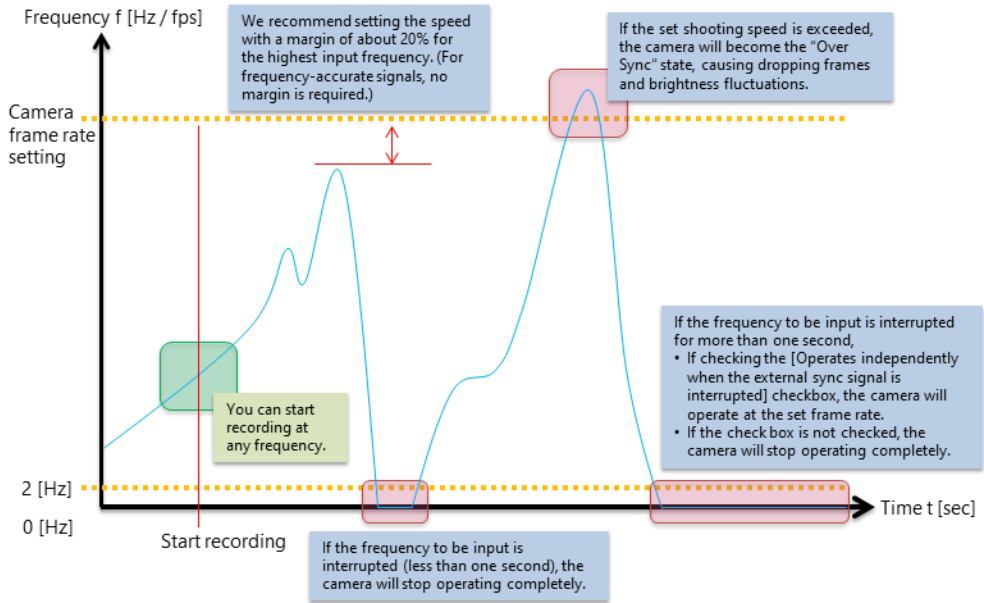


1.3.6 Synchronization with a variable frequency

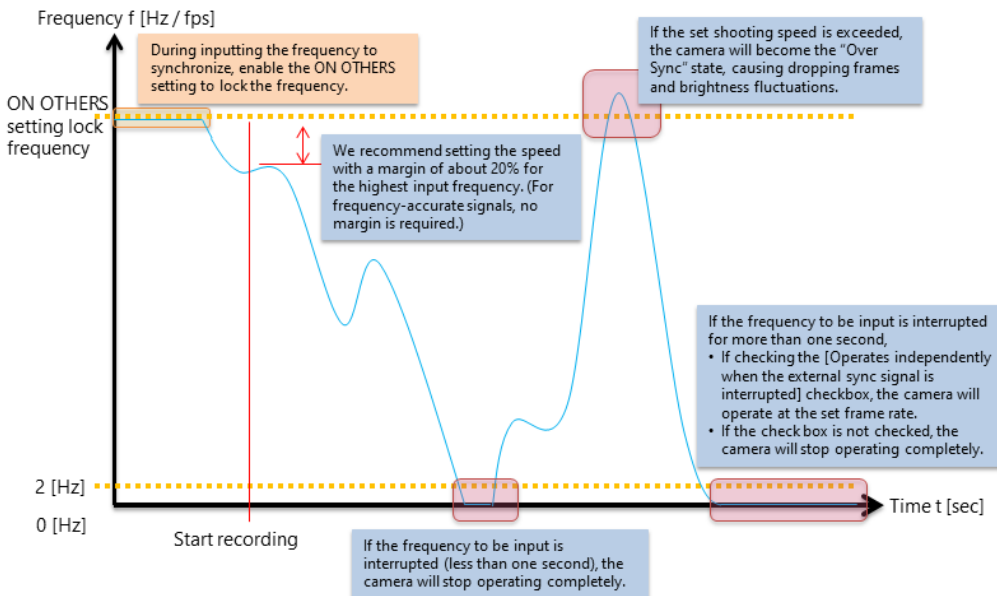
When the system receives synchronization signal via external input terminals, the system can operate with the frame rate and resolution specified at the start of recording as the maximum value, following the synchronization signal up to 2 Hz even in the recording mode.

NOTE

- When an input sync signal is variable, or when it exceeds the upper limit frequency, the output image quality might be poor.
- Example of the variable frequency synchronization (ON CAM).



- Example of the variable frequency synchronization (ON OTHERS).



1.3.7 Setting of Input/Output Signals and Sync Output Rate

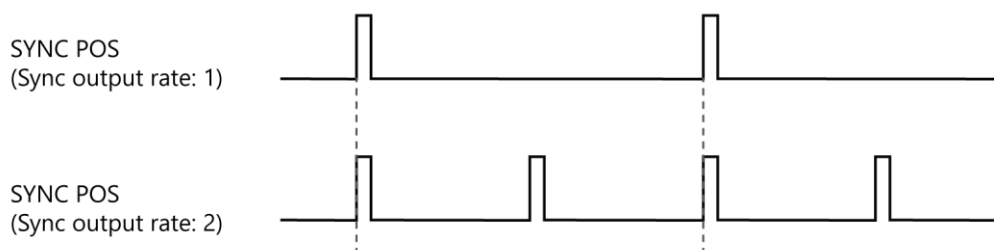
With the system, you can set the signal delay time or pulse width for the various signals that are input and output. Pulse width and delay settings for the various signals to input/output are made with PFV or the remote controller (optional). The content of each setting is listed in the chart below.

Setting Item	Setting Range (Value)
TRIG TTL IN DELAY	0 to 5 (sec) 100 nsec units
SYNC IN DELAY	0 to 1/frame rate (sec) 100 nsec units
TRIG OUT WIDTH	0 to 1 (msec) 100 nsec units
SYNC OUT DELAY	0 to 1/frame rate (sec) 100 nsec units
SYNC OUT WIDTH	0 to 1,000 (μ sec), 1/frame rate (sec) at 1,000 fps or higher 100 nsec units
EXPOSE OUT DELAY	0 to 1/frame rate (sec) 100 nsec units
Sync output rate	0.5, 1, 2, 4, 6, 8, 10, 20, 30 (* x1 is the default setting)

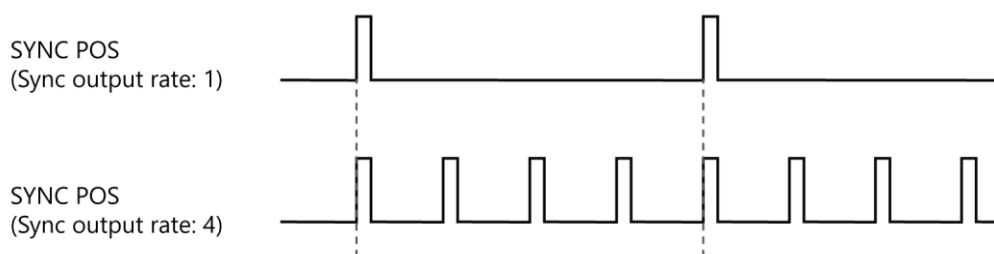
◆ Sync output rate

Output a SYNC (vertical synchronization signal) from SYNC OUT that is X times SYNC.

■ Example: For Sync output rate setting of 2.



■ Example: For Sync output rate setting of 4.





CAUTION

- An accurate frequency is output, but when Sync output rate is set to a large value with a high frame rate, the setting may result in frequency errors.
- There are following limitations in Sync output rate function.

Frame Rate		Restriction
	to 60,000 fps	No Limit
60,001 fps	to 90,000 fps	x30 is unavailable
90,001 fps	to 500,000 fps	x20 and x30 are unavailable
500,001 fps	to 700,000 fps	x8, x10, x20 and x30 are unavailable
700,001 fps	to 1,085,000 fps	x6, x8, x10, x20 and x30 are unavailable
1,085,001 fps or higher		x4, x6, x8, x10, x20 and x30 are unavailable

- The signal input cannot be accepted during the delay period.
Example: If 100 msec of delay is applied, the trigger is recognized 100 msec after trigger input, but the trigger input during that 100 msec will be canceled.
- Export-controlled model type is subject to certain restriction on the frame rate.

1.3.8 IRIG IN (External Time Synchronization)

The system supports IRIG-B input and can add an IRIG code to each recorded frame. The sample timing for the IRIG code is once each frame.

The recorded IRIG code is displayed on HD-SDI output or “PFV”.

◆ IRIG Code Input Specification

Connector	BNC
Code Format	IRIG-B (122) Analog
Amplitude	1.0Vp-p min, 8.0Vp-p max
Modulation Ratio	3:1 to 6:1
Typical modulated carrier signal ratio	10:1



CAUTION

Limitation of use of IRIG code

With the Image Trigger function, IRIG code cannot be used when the specified number of frames is 32 or fewer in RANDOM MANUAL trigger mode.



NOTE

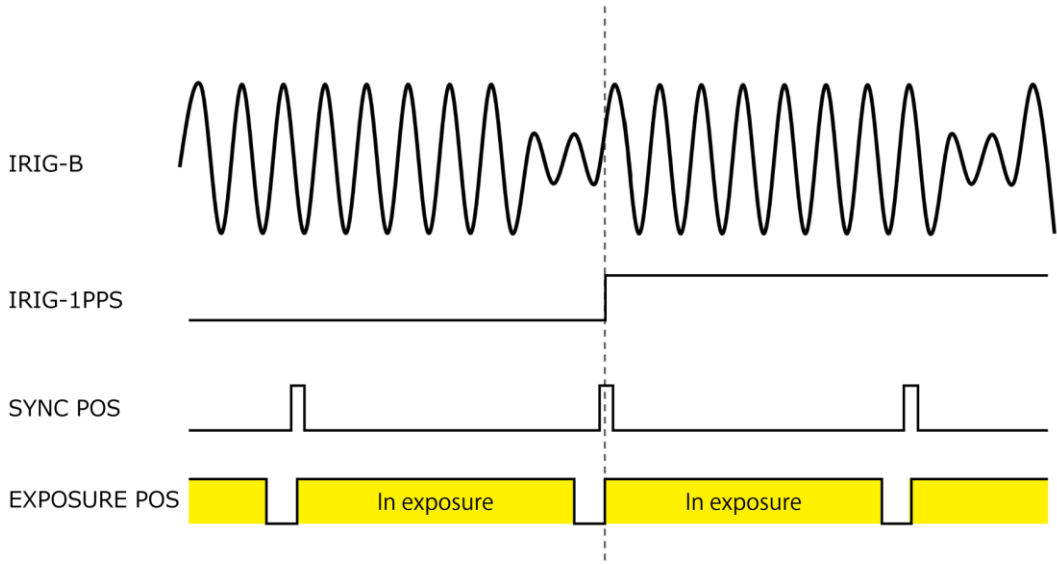
- IRIG Time Code is used when temporally synchronizing a camera with external equipment.
- It is a convenient function when apparatus is physically separated.
- When the IRIG code is being input, the IRIG code is displayed in white, and □ is displayed to the left.
- The IRIG offset time is also displayed below it. When the IRIG code is not being input, the IRIG code is displayed in grey. At that time, the counter is the camera’s internal counter and it continues to count.

1.3.9 IRIG-sync Operation

This camera system supports IRIG-sync operation, in which the sensor drive signal is synchronized with the input of IRIG-B signal.

◆ How IRIG-sync operation works?

In IRIG-sync operation, the image sensor is driven by the timing signal shown below. Exposure to the sensor starts at the start of the IRIG-1PPS signal.



IRIG-B : IRIG code that is input to the camera
IRIG-1PPS : 1PPS timing of the IRIG code
SYNC POS : Camera's vertical sync signal
EXPOSURE POS : Exposure to the camera sensor



CAUTION

- The Maximum frame rate in IRIG-sync operation is 100,000 fps.
- The IRIG signal must be input to the camera from the IRIG signal generator before enabling IRIG synchronous recording.
If the IRIG synchronous recording setting is preset, the IRIG signal must be input to the camera from the IRIG signal generator before the camera is activated.

1.4 Device Connections

1.4.1 Minimum Equipment Connection

The minimum connection for using the camera is as follows.

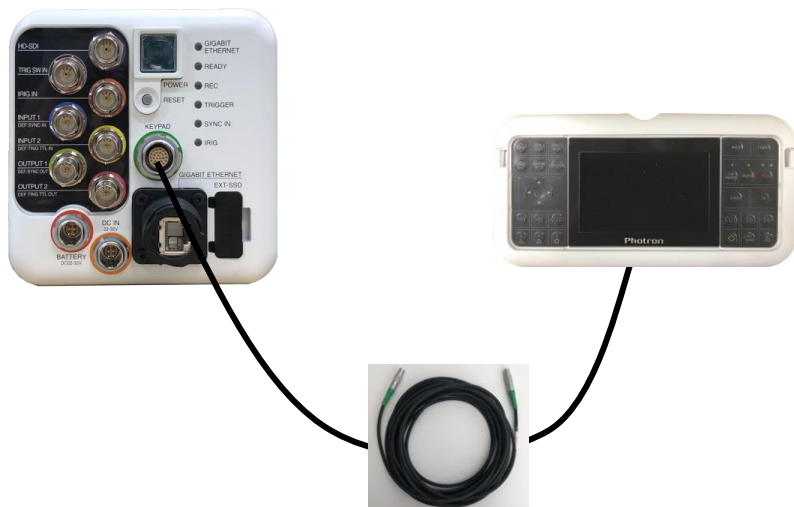


REFERENCE

Refer to “Photron FASTCAM Viewer 4 User’s Manual” for software operation.

1.4.2 Remote Keypad (Optional)

The system can be operated while checking the monitor by connecting the optional Remote Keypad with LCD to the “KEYPAD” connector on the rear of the camera body. The Remote Keypad is also hot-pluggable; it can be plugged into and unplugged from the camera while the power is on.



■ Remote Keypad Cable

Camera side / Connector side: FGG.2B.326.CLAD

Length: 10m / 3m

	Connector Model Name	Manufacturer
Camera side	ECG.2B.326.CLN	LEMO
Remote Keypad side	EEG.2B.326.CLN	LEMO
Used with remote keypad cable	FGG.2B.326.CLAD 72Z	LEMO



REFERENCE

For how to operate of the Remote Keypad, refer to “Remote Keypad with LCD HW Manual”.



NOTE

The Remote Keypad with LCD is optional. It is not included in the standard configuration.

1.4.3 Connecting a Video Monitor

Connecting video monitors to the system for checking the live image (camera pass-through image). Connect a video input connector on a HD-SDI monitor to the “HD-SDI” connector with a BNC cable.



HD SDI connector (BNC)
The HD SDI (High Definition Serial Digital Interface) output.
* For NV models, the notation is “NOT DEFINED”.

Resolution	Frequency
1080 p	30 Hz
	25 Hz

CAUTION

Since the NV model does not have HD-SDI output capability, LIVE images cannot be checked on the video monitor. Use the PFV4 or Remote Keypad (optional) to check LIVE images.

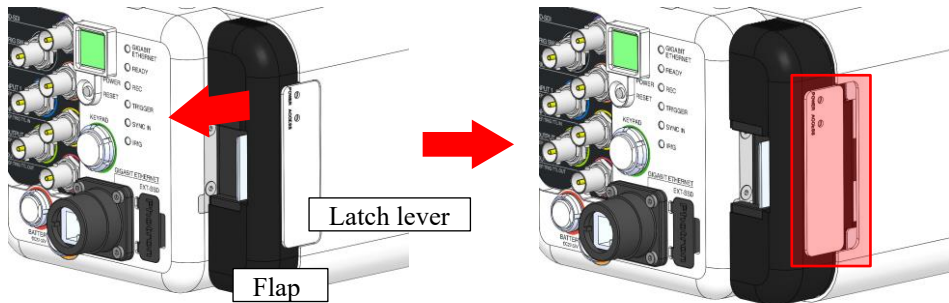
NOTE

Use 5C-FB specification cables for HD-SDI output.

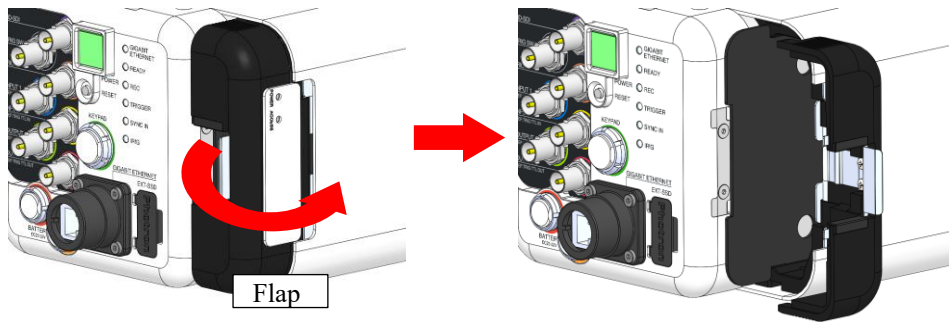
1.5 How to open the FAST Drive holder

This section explains how to open the FAST Drive holder.

1. Pull out the latch lever of the FAST Drive holder as shown in the following figure.



2. Open the flap (black part) turning outward as the direction of the arrow.



NOTE

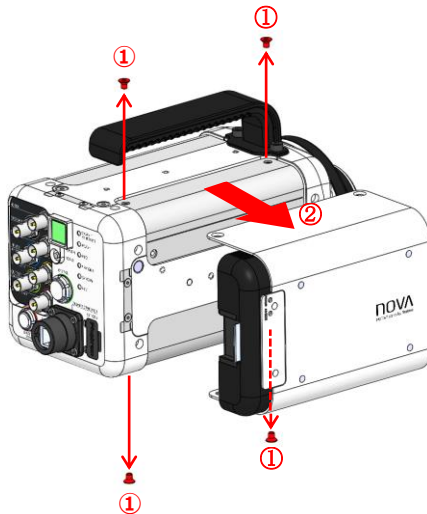
The flap will not open unless the latch lever is pull out all the way.

1.6 Change attachment position of FAST Drive holder

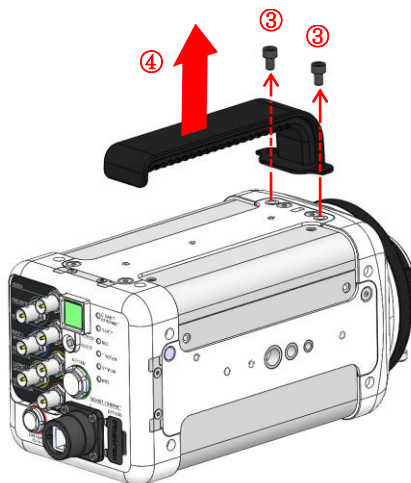
When using the camera sideways, or when the FAST Drive holder or handle is in the way, it can be removed and used.

This section explains how to attach the FAST Drive holder from the front side to the left side to the bottom side, and the handle from the top side to the left side as viewed from the front.

1. Remove the screws (2 top and 2 bottom) that attach the FAST Drive holder.
2. Remove the FAST Drive holder.

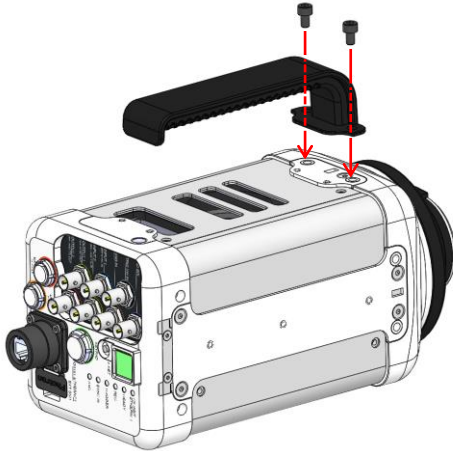


3. Remove the screws (2 top) that attach the Carrying handle.
4. Remove the Carrying handle.

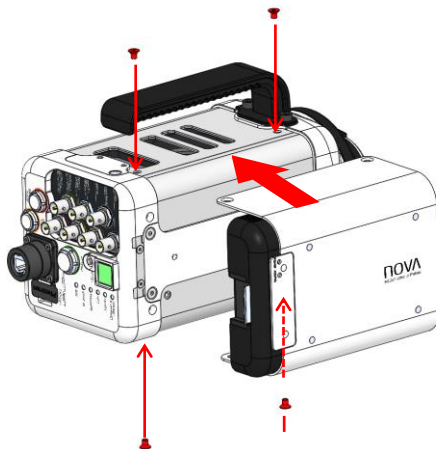


5. Tilt the camera 90 degrees to the right.

6. Mount the Carrying handle with the screw as shown in the following figure.



7. Mount the FAST Drive holder with the screw as shown in the following figure.



CAUTION

- The handle can be removed and used, but it will be hot while the main unit is running, so install and operate the handle and do not touch the main unit.
- When using in a high temperature environment of 40 degrees or more, attach a special FAST Drive holder to the top panel, or do not store FAST Drive in a dedicated FAST Drive holder.

NOTE

Since the fan is on the right side as seen from the front of the main unit, the FAST Drive holder can not be mounted on this side.

2

Chapter 2 Recording

This chapter explains operations related to recording.

2.1 Selecting Frame Rate / Resolution

Up to the full frame rate of each model, images can be recorded using the full 1,024 x 1,024 pixels (1,048,576 pixels) resolution of the image sensor.

◆ Full frame rate of each model

S6: 6,400 fps

S9: 9,000 fps

S12: 12,800 fps

S16: 16,000 fps

S20: 18,750 fps

For frame rates higher than the full frame rate, the high-speed recordings are achieved by restricting the readout area of the image sensor.

Restricting resolution enables higher speed recording. It also reduces data amount and then it enables longer time shooting/recording.



REFERENCE

For the detailed setting, refer to “3.1.5 Frame Rate and Resolution” on page 55.

2.2 Selecting Shutter Speed

The shutter speed (Exposure time) is independent of the frame rate, and it is possible to control the exposure time in the frame using the electric shutter. By making an exposure that is of a shorter period than the frame rate, high-speed objects can be shot without blur.

When the frame rate is lower than 1,000 fps, the shutter speed can be changed from 1/1,000 (1 msec), and when the frame rate is 1,000 fps or higher, it can be changed from one step shorter shutter speed than “1/frame” second up to 1/4,800,000 sec (0.2 µsec) for Nova S6/9/12 and 1/4,950,000 sec (approx. 0.2 µsec) for Nova S16/20.



REFERENCE

For more information of Shutter Speed, refer to “3.1.8 Shutter Speed List” on page 77.



NOTE

- For lower frame rates 2 to 1,000 fps, longer than 1/1,000 sec shutter speeds cannot be set because the system uses a special high-speed sensor.
- For example, when working under 500 fps, the available shutter speed varies from 1/1,000 to 1/4,800,000 second (for Nova S16/20, 1/4,950,000 second). When working under 2,000 fps, a shutter speed varying from one faster step than 1/2,000 second, 1/2,020 second, to 1/4,800,000 second (for Nova S16/20, 1/4,950,000 second) can be obtained.
- With activating “Low Shutter Speed Function” from PFV, it is possible to apply a shutter speed of longer than 1/1,000 sec. However, with exposure longer than 1/1,000 sec, the image quality degrades significantly. For 2 to 30 fps, only 1/frame sec is available.

3

Chapter 3 Product Specifications

This chapter explains the system's specifications.

3.1 Specifications

3.1.1 Product Specifications

Image Sensor	CMOS image sensor	
Sensor Resolution	1,024 x 1,024 pixels	
Pixel Size	20 μm square	
Frame Rate	For full frame operation S20: 18,750 fps S16: 16,000 fps S12: 12,800 fps S9: 9,000 fps S6: 6,400 fps	For segmented frame operation 1,100,000 fps maximum 1,100,000 fps maximum 1,000,000 fps maximum 900,000 fps maximum 800,000 fps maximum
Accuracy of frame rate	±50 ppm	
Lens Mount	G type F mount, C mount (optional), EF mount (optional), M42 mount (optional)	
Recording Color Depth	Monochrome	S6/9/12/16: 12bit S20: 10bit / 12bit
	Color	S6/9/12/16: RGB, each 12bit (Bayer color filter method) S20: RGB, each 10bit / 12bit (Bayer color filter method)
Shutter Method	Electronic shutter (Global shutter)	
Recording Method	IC memory	
Recording Memory Capacity	8GB, 16GB, 32GB, 64GB, 128GB	
Trigger Method	START, CENTER, END, MANUAL, RANDOM, RANDOM RESET, RANDOM MANUAL, REC ON CMD	
Gain Control	Hardware LUT on camera Controllable via software	
Image Output Customization	Customizable LUT, brightness is changeable	
External Synchronization Input Signal	+3.3 to +12 V, negative polarity / positive polarity (switchable)	
External Synchronization Output Signal	+5 V, negative polarity / positive polarity (switchable)	
Trigger Input Signal	TTL (+3.3 to +12 V), contact	
Other Output Signals	Other timing signal outputs	
External Control	Gigabit Ethernet IF (PC), Remote Keypad	
Video Output Signal	HD SDI (Compliant with SMPTE 292M) * Not available for NV model. 1080p 30 Hz, 25 Hz With digital zoom, scroll, fit functions	
Digital Interface	RJ45 (1000BASE-T/10GBASE-T)	

3.1.2 Other Supported Function

Supported Function		
Variable Framerate/Resolution	Auto Exposure * ¹	Dual Slope Shutter
Resolution Lock	Fan Control	Lens Control (optional)
IRIG Input	IRIG Synchronization	Variable Synchronization
Signal Delay Setting	Sync output rate * ²	Event Marker
Shutter lock	Signal Width Setting	Record While Save
FAST Drive (optional)	HD-SDI Output * ¹	Direct Start Setting
Stop Fan During Recording	Low Shutter Speed Function	Mechanical Shutter
Exposure Display with Auto Exposure * ¹	IRIG Time Stamp's selection function at exposure start/end	
Memory Partitioning (up to 128)		

*¹ Not supported on NV models.

*² When using at the frame rate in the vicinity of the limit value when synchronizing the external device, the Sync output rate setting may be limited due to the error of the input frequency.



REFERENCE

Refer to "Photron FASTCAM Viewer 4 User's Manual" for other functions.

3.1.3 General Specifications

Environment Conditions	
Storage Temperature	-20 to 60 deg C (No Condensation) -4 to 140 deg F (No Condensation)
Storage Humidity	85% or less (No Condensation)
Operating Temperature	S6/9/12/16 <ul style="list-style-type: none"> · Without Remote Keypad with LCD -10 to 45 deg C (No Condensation), 14 to 113 deg F (No Condensation) · When connecting Remote Keypad with LCD -10 to 40 deg C (No Condensation), 14 to 104 deg F (No Condensation) S20 -10 to 40 deg C (No Condensation), 14 to 104 deg F (No Condensation)
Operating Humidity	80% or less (No Condensation)
High-G Capability	30 G, 11 msec, 6 axes, 1,000 times
Pollution degree	Degree 2 according to IEC60664-1
Overvoltage category	Category II according to IEC60664-1
Maximum use altitude	2,000 m or lower
External Dimensions	
Camera Body	120.0 (H) x 120.0 (W) x 217.2 (D) mm, excluding protrusion 4.72" (H) x 4.72" (W) x 8.55" (D)
DC Power Supply	
Power Voltage	22 V to 32 V
Power Consumption	150 VA
Weight	
Camera Body	3.3 kg, 7.2 lbs (NV model: 3.2 kg, 7.0 lbs)



Photron has verified two types of AC cables, type A (standard for Japan, USA, Canada, etc.) and type SE (standard for Germany, France, etc.). However, when those cables cannot properly receive power when plugged in, use the proper AC cable for the region's standards and verify that AC cable works properly.

For inquiries regarding the recommended AC cable for each region, contact that region's Photron branch office or the distributor.

3.1.4 AC Adapter

Manufacturer		Adapter Technology Co., Ltd.
Type		ATS200TS-P240
Rating	Input	AC100-240V, 50-60Hz, up to 2.4A
	Output	DC24V, 8.3A
Dimensions		33.2 (H) x 54.2 (W) x 161.0 (D) mm excluding protrusions 1.30" (H) x 2.13" (W) x 6.33" (D)
Weight		0.56 kg, 1.23 lbs

3.1.5 Frame Rate and Resolution

◆ type S20 (10bit, 1,024 x 1,024 to 640 x 544)

Resolution Frame rate (fps)	1,024 x 1,024	1,024 x 992	1,024 x 912	1,024 x 848	1,024 x 768	1,024 x 656	1,024 x 512	896 x 896	896 x 768	768 x 768	768 x 624	768 x 544	768 x 480	640 x 576	640 x 544
2	✓	✓	✓	✓	✓	✓	✓	✓	✓	✓	✓	✓	✓	✓	✓
5	✓	✓	✓	✓	✓	✓	✓	✓	✓	✓	✓	✓	✓	✓	✓
10	✓	✓	✓	✓	✓	✓	✓	✓	✓	✓	✓	✓	✓	✓	✓
30	✓	✓	✓	✓	✓	✓	✓	✓	✓	✓	✓	✓	✓	✓	✓
50	✓	✓	✓	✓	✓	✓	✓	✓	✓	✓	✓	✓	✓	✓	✓
60	✓	✓	✓	✓	✓	✓	✓	✓	✓	✓	✓	✓	✓	✓	✓
125	✓	✓	✓	✓	✓	✓	✓	✓	✓	✓	✓	✓	✓	✓	✓
250	✓	✓	✓	✓	✓	✓	✓	✓	✓	✓	✓	✓	✓	✓	✓
500	✓	✓	✓	✓	✓	✓	✓	✓	✓	✓	✓	✓	✓	✓	✓
750	✓	✓	✓	✓	✓	✓	✓	✓	✓	✓	✓	✓	✓	✓	✓
1,000	✓	✓	✓	✓	✓	✓	✓	✓	✓	✓	✓	✓	✓	✓	✓
2,000	✓	✓	✓	✓	✓	✓	✓	✓	✓	✓	✓	✓	✓	✓	✓
3,000	✓	✓	✓	✓	✓	✓	✓	✓	✓	✓	✓	✓	✓	✓	✓
4,000	✓	✓	✓	✓	✓	✓	✓	✓	✓	✓	✓	✓	✓	✓	✓
5,000	✓	✓	✓	✓	✓	✓	✓	✓	✓	✓	✓	✓	✓	✓	✓
6,000	✓	✓	✓	✓	✓	✓	✓	✓	✓	✓	✓	✓	✓	✓	✓
7,200	✓	✓	✓	✓	✓	✓	✓	✓	✓	✓	✓	✓	✓	✓	✓
8,000	✓	✓	✓	✓	✓	✓	✓	✓	✓	✓	✓	✓	✓	✓	✓
9,000	✓	✓	✓	✓	✓	✓	✓	✓	✓	✓	✓	✓	✓	✓	✓
10,000	✓	✓	✓	✓	✓	✓	✓	✓	✓	✓	✓	✓	✓	✓	✓
12,000	✓	✓	✓	✓	✓	✓	✓	✓	✓	✓	✓	✓	✓	✓	✓
15,000	✓	✓	✓	✓	✓	✓	✓	✓	✓	✓	✓	✓	✓	✓	✓
16,500	✓	✓	✓	✓	✓	✓	✓	✓	✓	✓	✓	✓	✓	✓	✓
18,000	✓	✓	✓	✓	✓	✓	✓	✓	✓	✓	✓	✓	✓	✓	✓
18,750	✓	✓	✓	✓	✓	✓	✓	✓	✓	✓	✓	✓	✓	✓	✓
20,000	✓	✓	✓	✓	✓	✓	✓	✓	✓	✓	✓	✓	✓	✓	✓
22,000	✓	✓	✓	✓	✓	✓	✓	✓	✓	✓	✓	✓	✓	✓	✓
24,750	✓	✓	✓	✓	✓	✓	✓	✓	✓	✓	✓	✓	✓	✓	✓
25,000	✓	✓	✓	✓	✓	✓	✓	✓	✓	✓	✓	✓	✓	✓	✓
28,125	✓	✓	✓	✓	✓	✓	✓	✓	✓	✓	✓	✓	✓	✓	✓
30,000	✓	✓	✓	✓	✓	✓	✓	✓	✓	✓	✓	✓	✓	✓	✓
33,000	✓	✓	✓	✓	✓	✓	✓	✓	✓	✓	✓	✓	✓	✓	✓
37,500	✓	✓	✓	✓	✓	✓	✓	✓	✓	✓	✓	✓	✓	✓	✓
40,000	✓	✓	✓	✓	✓	✓	✓	✓	✓	✓	✓	✓	✓	✓	✓
44,000	✓	✓	✓	✓	✓	✓	✓	✓	✓	✓	✓	✓	✓	✓	✓
45,000	✓	✓	✓	✓	✓	✓	✓	✓	✓	✓	✓	✓	✓	✓	✓
50,000	✓	✓	✓	✓	✓	✓	✓	✓	✓	✓	✓	✓	✓	✓	✓
52,800	✓	✓	✓	✓	✓	✓	✓	✓	✓	✓	✓	✓	✓	✓	✓
56,250	✓	✓	✓	✓	✓	✓	✓	✓	✓	✓	✓	✓	✓	✓	✓
60,000	✓	✓	✓	✓	✓	✓	✓	✓	✓	✓	✓	✓	✓	✓	✓
62,500	✓	✓	✓	✓	✓	✓	✓	✓	✓	✓	✓	✓	✓	✓	✓
66,000	✓	✓	✓	✓	✓	✓	✓	✓	✓	✓	✓	✓	✓	✓	✓
68,750	✓	✓	✓	✓	✓	✓	✓	✓	✓	✓	✓	✓	✓	✓	✓
75,000	✓	✓	✓	✓	✓	✓	✓	✓	✓	✓	✓	✓	✓	✓	✓
82,500	✓	✓	✓	✓	✓	✓	✓	✓	✓	✓	✓	✓	✓	✓	✓
90,000	✓	✓	✓	✓	✓	✓	✓	✓	✓	✓	✓	✓	✓	✓	✓
93,750	✓	✓	✓	✓	✓	✓	✓	✓	✓	✓	✓	✓	✓	✓	✓
100,000	✓	✓	✓	✓	✓	✓	✓	✓	✓	✓	✓	✓	✓	✓	✓
112,500	✓	✓	✓	✓	✓	✓	✓	✓	✓	✓	✓	✓	✓	✓	✓
120,000	✓	✓	✓	✓	✓	✓	✓	✓	✓	✓	✓	✓	✓	✓	✓
137,500	✓	✓	✓	✓	✓	✓	✓	✓	✓	✓	✓	✓	✓	✓	✓
150,000	✓	✓	✓	✓	✓	✓	✓	✓	✓	✓	✓	✓	✓	✓	✓
165,000	✓	✓	✓	✓	✓	✓	✓	✓	✓	✓	✓	✓	✓	✓	✓
187,500	✓	✓	✓	✓	✓	✓	✓	✓	✓	✓	✓	✓	✓	✓	✓
206,250	✓	✓	✓	✓	✓	✓	✓	✓	✓	✓	✓	✓	✓	✓	✓
220,000	✓	✓	✓	✓	✓	✓	✓	✓	✓	✓	✓	✓	✓	✓	✓

type 200KS

Resolution Frame rate (fps)	1,024 × 1,024	1,024 × 992	1,024 × 912	1,024 × 848	1,024 × 768	1,024 × 656	1,024 × 512	896 × 896	896 × 768	768 × 768	768 × 624	768 × 544	768 × 480	640 × 576	640 × 544
225,000															
264,000															
300,000															
375,000															
440,000															
450,000															
550,000															
type 550K															
660,000															
750,000															
900,000															
1,100,000															

◆ type S20 (640 x 480 to 384 x 224)

Resolution Frame rate (fps)	640 × 480	640 × 464	512 × 512	512 × 496	512 × 480	512 × 432	512 × 384	512 × 352	512 × 336	512 × 256	384 × 384	384 × 368	384 × 304	384 × 256	384 × 224
2	✓	✓	✓	✓	✓	✓	✓	✓	✓	✓	✓	✓	✓	✓	✓
5	✓	✓	✓	✓	✓	✓	✓	✓	✓	✓	✓	✓	✓	✓	✓
10	✓	✓	✓	✓	✓	✓	✓	✓	✓	✓	✓	✓	✓	✓	✓
30	✓	✓	✓	✓	✓	✓	✓	✓	✓	✓	✓	✓	✓	✓	✓
50	✓	✓	✓	✓	✓	✓	✓	✓	✓	✓	✓	✓	✓	✓	✓
60	✓	✓	✓	✓	✓	✓	✓	✓	✓	✓	✓	✓	✓	✓	✓
125	✓	✓	✓	✓	✓	✓	✓	✓	✓	✓	✓	✓	✓	✓	✓
250	✓	✓	✓	✓	✓	✓	✓	✓	✓	✓	✓	✓	✓	✓	✓
500	✓	✓	✓	✓	✓	✓	✓	✓	✓	✓	✓	✓	✓	✓	✓
750	✓	✓	✓	✓	✓	✓	✓	✓	✓	✓	✓	✓	✓	✓	✓
1,000	✓	✓	✓	✓	✓	✓	✓	✓	✓	✓	✓	✓	✓	✓	✓
2,000	✓	✓	✓	✓	✓	✓	✓	✓	✓	✓	✓	✓	✓	✓	✓
3,000	✓	✓	✓	✓	✓	✓	✓	✓	✓	✓	✓	✓	✓	✓	✓
4,000	✓	✓	✓	✓	✓	✓	✓	✓	✓	✓	✓	✓	✓	✓	✓
5,000	✓	✓	✓	✓	✓	✓	✓	✓	✓	✓	✓	✓	✓	✓	✓
6,000	✓	✓	✓	✓	✓	✓	✓	✓	✓	✓	✓	✓	✓	✓	✓
7,200	✓	✓	✓	✓	✓	✓	✓	✓	✓	✓	✓	✓	✓	✓	✓
8,000	✓	✓	✓	✓	✓	✓	✓	✓	✓	✓	✓	✓	✓	✓	✓
9,000	✓	✓	✓	✓	✓	✓	✓	✓	✓	✓	✓	✓	✓	✓	✓
10,000	✓	✓	✓	✓	✓	✓	✓	✓	✓	✓	✓	✓	✓	✓	✓
12,000	✓	✓	✓	✓	✓	✓	✓	✓	✓	✓	✓	✓	✓	✓	✓
15,000	✓	✓	✓	✓	✓	✓	✓	✓	✓	✓	✓	✓	✓	✓	✓
16,500	✓	✓	✓	✓	✓	✓	✓	✓	✓	✓	✓	✓	✓	✓	✓
18,000	✓	✓	✓	✓	✓	✓	✓	✓	✓	✓	✓	✓	✓	✓	✓
18,750	✓	✓	✓	✓	✓	✓	✓	✓	✓	✓	✓	✓	✓	✓	✓
20,000	✓	✓	✓	✓	✓	✓	✓	✓	✓	✓	✓	✓	✓	✓	✓
22,000	✓	✓	✓	✓	✓	✓	✓	✓	✓	✓	✓	✓	✓	✓	✓
24,750	✓	✓	✓	✓	✓	✓	✓	✓	✓	✓	✓	✓	✓	✓	✓
25,000	✓	✓	✓	✓	✓	✓	✓	✓	✓	✓	✓	✓	✓	✓	✓
28,125	✓	✓	✓	✓	✓	✓	✓	✓	✓	✓	✓	✓	✓	✓	✓
30,000	✓	✓	✓	✓	✓	✓	✓	✓	✓	✓	✓	✓	✓	✓	✓
33,000	✓	✓	✓	✓	✓	✓	✓	✓	✓	✓	✓	✓	✓	✓	✓
37,500	✓	✓	✓	✓	✓	✓	✓	✓	✓	✓	✓	✓	✓	✓	✓
40,000	✓	✓	✓	✓	✓	✓	✓	✓	✓	✓	✓	✓	✓	✓	✓
44,000	✓	✓	✓	✓	✓	✓	✓	✓	✓	✓	✓	✓	✓	✓	✓
45,000	✓	✓	✓	✓	✓	✓	✓	✓	✓	✓	✓	✓	✓	✓	✓
50,000	✓	✓	✓	✓	✓	✓	✓	✓	✓	✓	✓	✓	✓	✓	✓
52,800	✓	✓	✓	✓	✓	✓	✓	✓	✓	✓	✓	✓	✓	✓	✓
56,250	✓	✓	✓	✓	✓	✓	✓	✓	✓	✓	✓	✓	✓	✓	✓
60,000		✓	✓	✓	✓	✓	✓	✓	✓	✓	✓	✓	✓	✓	✓
62,500			✓	✓	✓	✓	✓	✓	✓	✓	✓	✓	✓	✓	✓
66,000				✓	✓	✓	✓	✓	✓	✓	✓	✓	✓	✓	✓
68,750					✓	✓	✓	✓	✓	✓	✓	✓	✓	✓	✓

Resolution Frame rate (fps)	640 x 480	640 x 464	512 x 512	512 x 496	512 x 480	512 x 432	512 x 384	512 x 352	512 x 336	512 x 256	384 x 384	384 x 368	384 x 304	384 x 256	384 x 224
75,000						✓	✓	✓	✓	✓	✓	✓	✓	✓	✓
82,500							✓	✓	✓	✓	✓	✓	✓	✓	✓
90,000								✓	✓	✓	✓	✓	✓	✓	✓
93,750									✓	✓	✓	✓	✓	✓	✓
100,000										✓	✓	✓	✓	✓	✓
112,500										✓			✓	✓	✓
120,000													✓	✓	✓
137,500														✓	✓
150,000															✓
165,000															
187,500															
206,250															
220,000															
225,000															
type 200KS															
264,000															
300,000															
375,000															
440,000															
450,000															
550,000															
type 550K															
660,000															
750,000															
900,000															
1,100,000															

◆ type S20 (256 x 256 to 128 x 16)

Resolution Frame rate (fps)	256 x 256	256 x 224	256 x 192	256 x 160	256 x 128	128 x 128	128 x 96	128 x 64	128 x 48	128 x 32	128 x 16
2	✓	✓	✓	✓	✓	✓	✓	✓	✓	✓	✓
5	✓	✓	✓	✓	✓	✓	✓	✓	✓	✓	✓
10	✓	✓	✓	✓	✓	✓	✓	✓	✓	✓	✓
30	✓	✓	✓	✓	✓	✓	✓	✓	✓	✓	✓
50	✓	✓	✓	✓	✓	✓	✓	✓	✓	✓	✓
60	✓	✓	✓	✓	✓	✓	✓	✓	✓	✓	✓
125	✓	✓	✓	✓	✓	✓	✓	✓	✓	✓	✓
250	✓	✓	✓	✓	✓	✓	✓	✓	✓	✓	✓
500	✓	✓	✓	✓	✓	✓	✓	✓	✓	✓	✓
750	✓	✓	✓	✓	✓	✓	✓	✓	✓	✓	✓
1,000	✓	✓	✓	✓	✓	✓	✓	✓	✓	✓	✓
2,000	✓	✓	✓	✓	✓	✓	✓	✓	✓	✓	✓
3,000	✓	✓	✓	✓	✓	✓	✓	✓	✓	✓	✓
4,000	✓	✓	✓	✓	✓	✓	✓	✓	✓	✓	✓
5,000	✓	✓	✓	✓	✓	✓	✓	✓	✓	✓	✓
6,000	✓	✓	✓	✓	✓	✓	✓	✓	✓	✓	✓
7,200	✓	✓	✓	✓	✓	✓	✓	✓	✓	✓	✓
8,000	✓	✓	✓	✓	✓	✓	✓	✓	✓	✓	✓
9,000	✓	✓	✓	✓	✓	✓	✓	✓	✓	✓	✓
10,000	✓	✓	✓	✓	✓	✓	✓	✓	✓	✓	✓
12,000	✓	✓	✓	✓	✓	✓	✓	✓	✓	✓	✓
15,000	✓	✓	✓	✓	✓	✓	✓	✓	✓	✓	✓
16,500	✓	✓	✓	✓	✓	✓	✓	✓	✓	✓	✓
18,000	✓	✓	✓	✓	✓	✓	✓	✓	✓	✓	✓
18,750	✓	✓	✓	✓	✓	✓	✓	✓	✓	✓	✓
20,000	✓	✓	✓	✓	✓	✓	✓	✓	✓	✓	✓
22,000	✓	✓	✓	✓	✓	✓	✓	✓	✓	✓	✓
24,750	✓	✓	✓	✓	✓	✓	✓	✓	✓	✓	✓
25,000	✓	✓	✓	✓	✓	✓	✓	✓	✓	✓	✓

Resolution Frame rate (fps)	256 × 256	256 × 224	256 × 192	256 × 160	256 × 128	128 × 128	128 × 96	128 × 64	128 × 48	128 × 32	128 × 16
28,125	✓	✓	✓	✓	✓	✓	✓	✓	✓	✓	✓
30,000	✓	✓	✓	✓	✓	✓	✓	✓	✓	✓	✓
33,000	✓	✓	✓	✓	✓	✓	✓	✓	✓	✓	✓
37,500	✓	✓	✓	✓	✓	✓	✓	✓	✓	✓	✓
40,000	✓	✓	✓	✓	✓	✓	✓	✓	✓	✓	✓
44,000	✓	✓	✓	✓	✓	✓	✓	✓	✓	✓	✓
45,000	✓	✓	✓	✓	✓	✓	✓	✓	✓	✓	✓
50,000	✓	✓	✓	✓	✓	✓	✓	✓	✓	✓	✓
52,800	✓	✓	✓	✓	✓	✓	✓	✓	✓	✓	✓
56,250	✓	✓	✓	✓	✓	✓	✓	✓	✓	✓	✓
60,000	✓	✓	✓	✓	✓	✓	✓	✓	✓	✓	✓
62,500	✓	✓	✓	✓	✓	✓	✓	✓	✓	✓	✓
66,000	✓	✓	✓	✓	✓	✓	✓	✓	✓	✓	✓
68,750	✓	✓	✓	✓	✓	✓	✓	✓	✓	✓	✓
75,000	✓	✓	✓	✓	✓	✓	✓	✓	✓	✓	✓
82,500	✓	✓	✓	✓	✓	✓	✓	✓	✓	✓	✓
90,000	✓	✓	✓	✓	✓	✓	✓	✓	✓	✓	✓
93,750	✓	✓	✓	✓	✓	✓	✓	✓	✓	✓	✓
100,000	✓	✓	✓	✓	✓	✓	✓	✓	✓	✓	✓
112,500	✓	✓	✓	✓	✓	✓	✓	✓	✓	✓	✓
120,000	✓	✓	✓	✓	✓	✓	✓	✓	✓	✓	✓
137,500	✓	✓	✓	✓	✓	✓	✓	✓	✓	✓	✓
150,000	✓	✓	✓	✓	✓	✓	✓	✓	✓	✓	✓
165,000	✓	✓	✓	✓	✓	✓	✓	✓	✓	✓	✓
187,500		✓	✓	✓	✓	✓	✓	✓	✓	✓	✓
206,250			✓	✓	✓	✓	✓	✓	✓	✓	✓
220,000				✓	✓	✓	✓	✓	✓	✓	✓
225,000				✓	✓	✓	✓	✓	✓	✓	✓
type 200KS											
264,000					✓	✓	✓	✓	✓	✓	✓
300,000					✓	✓	✓	✓	✓	✓	✓
375,000						✓	✓	✓	✓	✓	✓
440,000							✓	✓	✓	✓	✓
450,000								✓	✓	✓	✓
550,000								✓	✓	✓	✓
type 550K											
660,000								✓	✓	✓	✓
750,000									✓	✓	✓
900,000										✓	✓
1,100,000											✓

The ✓ mark indicates a possible setting. Light blue items are the maximum resolution setting at that frame rate. This table shows default settings. Even finer settings are possible with the variable setting feature.

◆ type S20 (12bit, 1,024 x 1,024 to 640 x 544)

Resolution Frame rate (fps)	1,024 × 1,024	1,024 × 992	1,024 × 912	1,024 × 848	1,024 × 768	1,024 × 656	1,024 × 512	896 × 896	896 × 768	768 × 768	768 × 624	768 × 544	768 × 480	640 × 576	640 × 544
2	✓	✓	✓	✓	✓	✓	✓	✓	✓	✓	✓	✓	✓	✓	✓
5	✓	✓	✓	✓	✓	✓	✓	✓	✓	✓	✓	✓	✓	✓	✓
10	✓	✓	✓	✓	✓	✓	✓	✓	✓	✓	✓	✓	✓	✓	✓
30	✓	✓	✓	✓	✓	✓	✓	✓	✓	✓	✓	✓	✓	✓	✓
50	✓	✓	✓	✓	✓	✓	✓	✓	✓	✓	✓	✓	✓	✓	✓
60	✓	✓	✓	✓	✓	✓	✓	✓	✓	✓	✓	✓	✓	✓	✓
125	✓	✓	✓	✓	✓	✓	✓	✓	✓	✓	✓	✓	✓	✓	✓
250	✓	✓	✓	✓	✓	✓	✓	✓	✓	✓	✓	✓	✓	✓	✓
500	✓	✓	✓	✓	✓	✓	✓	✓	✓	✓	✓	✓	✓	✓	✓
750	✓	✓	✓	✓	✓	✓	✓	✓	✓	✓	✓	✓	✓	✓	✓
1,000	✓	✓	✓	✓	✓	✓	✓	✓	✓	✓	✓	✓	✓	✓	✓
2,000	✓	✓	✓	✓	✓	✓	✓	✓	✓	✓	✓	✓	✓	✓	✓
3,000	✓	✓	✓	✓	✓	✓	✓	✓	✓	✓	✓	✓	✓	✓	✓
4,000	✓	✓	✓	✓	✓	✓	✓	✓	✓	✓	✓	✓	✓	✓	✓
5,000	✓	✓	✓	✓	✓	✓	✓	✓	✓	✓	✓	✓	✓	✓	✓
6,000	✓	✓	✓	✓	✓	✓	✓	✓	✓	✓	✓	✓	✓	✓	✓
7,200	✓	✓	✓	✓	✓	✓	✓	✓	✓	✓	✓	✓	✓	✓	✓
8,000	✓	✓	✓	✓	✓	✓	✓	✓	✓	✓	✓	✓	✓	✓	✓
9,000	✓	✓	✓	✓	✓	✓	✓	✓	✓	✓	✓	✓	✓	✓	✓
10,000	✓	✓	✓	✓	✓	✓	✓	✓	✓	✓	✓	✓	✓	✓	✓
12,000	✓	✓	✓	✓	✓	✓	✓	✓	✓	✓	✓	✓	✓	✓	✓
15,000	✓	✓	✓	✓	✓	✓	✓	✓	✓	✓	✓	✓	✓	✓	✓
16,500	✓	✓	✓	✓	✓	✓	✓	✓	✓	✓	✓	✓	✓	✓	✓
18,000			✓	✓	✓	✓	✓	✓	✓	✓	✓	✓	✓	✓	✓
18,750				✓	✓	✓	✓	✓	✓	✓	✓	✓	✓	✓	✓
20,000				✓	✓	✓	✓	✓	✓	✓	✓	✓	✓	✓	✓
22,000					✓	✓	✓	✓	✓	✓	✓	✓	✓	✓	✓
24,750						✓	✓	✓	✓	✓	✓	✓	✓	✓	✓
25,000							✓	✓	✓	✓	✓	✓	✓	✓	✓
28,125								✓	✓	✓	✓	✓	✓	✓	✓
30,000								✓	✓	✓	✓	✓	✓	✓	✓
33,000								✓	✓	✓	✓	✓	✓	✓	✓
37,500									✓	✓	✓	✓	✓	✓	✓
40,000										✓	✓	✓	✓	✓	✓
44,000											✓	✓	✓	✓	✓
45,000												✓	✓	✓	✓
50,000															
52,800															
56,250															
60,000															
62,500															
66,000															
68,750															
75,000															
82,500															
90,000															
93,750															
100,000															
112,500															
120,000															
137,500															
150,000															
165,000															
187,500															
206,250															
220,000															
225,000															

type 200KS

Resolution Frame rate (fps)	1,024 × 1,024	1,024 × 992	1,024 × 912	1,024 × 848	1,024 × 768	1,024 × 656	1,024 × 512	896 × 896	896 × 768	768 × 768	768 × 624	768 × 544	768 × 480	640 × 576	640 × 544
264,000															
300,000															
375,000															
440,000															
450,000															
550,000															
type 550K															
660,000															
750,000															
900,000															
1,100,000															

◆ type S20 (640 x 480 to 384 x 224)

Resolution Frame rate (fps)	640 × 480	640 × 464	512 × 512	512 × 496	512 × 480	512 × 432	512 × 384	512 × 352	512 × 336	512 × 256	384 × 384	384 × 368	384 × 304	384 × 256	384 × 224
2	✓	✓	✓	✓	✓	✓	✓	✓	✓	✓	✓	✓	✓	✓	✓
5	✓	✓	✓	✓	✓	✓	✓	✓	✓	✓	✓	✓	✓	✓	✓
10	✓	✓	✓	✓	✓	✓	✓	✓	✓	✓	✓	✓	✓	✓	✓
30	✓	✓	✓	✓	✓	✓	✓	✓	✓	✓	✓	✓	✓	✓	✓
50	✓	✓	✓	✓	✓	✓	✓	✓	✓	✓	✓	✓	✓	✓	✓
60	✓	✓	✓	✓	✓	✓	✓	✓	✓	✓	✓	✓	✓	✓	✓
125	✓	✓	✓	✓	✓	✓	✓	✓	✓	✓	✓	✓	✓	✓	✓
250	✓	✓	✓	✓	✓	✓	✓	✓	✓	✓	✓	✓	✓	✓	✓
500	✓	✓	✓	✓	✓	✓	✓	✓	✓	✓	✓	✓	✓	✓	✓
750	✓	✓	✓	✓	✓	✓	✓	✓	✓	✓	✓	✓	✓	✓	✓
1,000	✓	✓	✓	✓	✓	✓	✓	✓	✓	✓	✓	✓	✓	✓	✓
2,000	✓	✓	✓	✓	✓	✓	✓	✓	✓	✓	✓	✓	✓	✓	✓
3,000	✓	✓	✓	✓	✓	✓	✓	✓	✓	✓	✓	✓	✓	✓	✓
4,000	✓	✓	✓	✓	✓	✓	✓	✓	✓	✓	✓	✓	✓	✓	✓
5,000	✓	✓	✓	✓	✓	✓	✓	✓	✓	✓	✓	✓	✓	✓	✓
6,000	✓	✓	✓	✓	✓	✓	✓	✓	✓	✓	✓	✓	✓	✓	✓
7,200	✓	✓	✓	✓	✓	✓	✓	✓	✓	✓	✓	✓	✓	✓	✓
8,000	✓	✓	✓	✓	✓	✓	✓	✓	✓	✓	✓	✓	✓	✓	✓
9,000	✓	✓	✓	✓	✓	✓	✓	✓	✓	✓	✓	✓	✓	✓	✓
10,000	✓	✓	✓	✓	✓	✓	✓	✓	✓	✓	✓	✓	✓	✓	✓
12,000	✓	✓	✓	✓	✓	✓	✓	✓	✓	✓	✓	✓	✓	✓	✓
15,000	✓	✓	✓	✓	✓	✓	✓	✓	✓	✓	✓	✓	✓	✓	✓
16,500	✓	✓	✓	✓	✓	✓	✓	✓	✓	✓	✓	✓	✓	✓	✓
18,000	✓	✓	✓	✓	✓	✓	✓	✓	✓	✓	✓	✓	✓	✓	✓
18,750	✓	✓	✓	✓	✓	✓	✓	✓	✓	✓	✓	✓	✓	✓	✓
20,000	✓	✓	✓	✓	✓	✓	✓	✓	✓	✓	✓	✓	✓	✓	✓
22,000	✓	✓	✓	✓	✓	✓	✓	✓	✓	✓	✓	✓	✓	✓	✓
24,750	✓	✓	✓	✓	✓	✓	✓	✓	✓	✓	✓	✓	✓	✓	✓
25,000	✓	✓	✓	✓	✓	✓	✓	✓	✓	✓	✓	✓	✓	✓	✓
28,125	✓	✓	✓	✓	✓	✓	✓	✓	✓	✓	✓	✓	✓	✓	✓
30,000	✓	✓	✓	✓	✓	✓	✓	✓	✓	✓	✓	✓	✓	✓	✓
33,000	✓	✓	✓	✓	✓	✓	✓	✓	✓	✓	✓	✓	✓	✓	✓
37,500	✓	✓	✓	✓	✓	✓	✓	✓	✓	✓	✓	✓	✓	✓	✓
40,000	✓	✓	✓	✓	✓	✓	✓	✓	✓	✓	✓	✓	✓	✓	✓
44,000	✓	✓	✓	✓	✓	✓	✓	✓	✓	✓	✓	✓	✓	✓	✓
45,000	✓	✓	✓	✓	✓	✓	✓	✓	✓	✓	✓	✓	✓	✓	✓
50,000	✓	✓	✓	✓	✓	✓	✓	✓	✓	✓	✓	✓	✓	✓	✓
52,800	✓	✓	✓	✓	✓	✓	✓	✓	✓	✓	✓	✓	✓	✓	✓
56,250			✓	✓	✓	✓	✓	✓	✓	✓	✓	✓	✓	✓	✓
60,000				✓	✓	✓	✓	✓	✓	✓	✓	✓	✓	✓	✓
62,500					✓	✓	✓	✓	✓	✓	✓	✓	✓	✓	✓
66,000						✓	✓	✓	✓	✓	✓	✓	✓	✓	✓
68,750							✓	✓	✓	✓	✓	✓	✓	✓	✓
75,000								✓	✓	✓	✓	✓	✓	✓	✓
82,500									✓	✓	✓	✓	✓	✓	✓

Resolution Frame rate (fps)	640 x 480	640 x 464	512 x 512	512 x 496	512 x 480	512 x 432	512 x 384	512 x 352	512 x 336	512 x 256	384 x 384	384 x 368	384 x 304	384 x 256	384 x 224
90,000									✓	✓	✓	✓	✓	✓	✓
93,750										✓	✓	✓	✓	✓	✓
100,000											✓	✓	✓	✓	✓
112,500												✓	✓	✓	✓
120,000													✓	✓	✓
137,500														✓	✓
150,000															✓
165,000															
187,500															
206,250															
220,000															
225,000															
type 200KS															
264,000															
300,000															
375,000															
440,000															
450,000															
550,000															
type 550K															
660,000															
750,000															
900,000															
1,100,000															

◆ type S20 (256 x 256 to 128 x 16)

Resolution Frame rate (fps)	256 x 256	256 x 224	256 x 192	256 x 160	256 x 128	128 x 128	128 x 96	128 x 64	128 x 48	128 x 32	128 x 16
2	✓	✓	✓	✓	✓	✓	✓	✓	✓	✓	✓
5	✓	✓	✓	✓	✓	✓	✓	✓	✓	✓	✓
10	✓	✓	✓	✓	✓	✓	✓	✓	✓	✓	✓
30	✓	✓	✓	✓	✓	✓	✓	✓	✓	✓	✓
50	✓	✓	✓	✓	✓	✓	✓	✓	✓	✓	✓
60	✓	✓	✓	✓	✓	✓	✓	✓	✓	✓	✓
125	✓	✓	✓	✓	✓	✓	✓	✓	✓	✓	✓
250	✓	✓	✓	✓	✓	✓	✓	✓	✓	✓	✓
500	✓	✓	✓	✓	✓	✓	✓	✓	✓	✓	✓
750	✓	✓	✓	✓	✓	✓	✓	✓	✓	✓	✓
1,000	✓	✓	✓	✓	✓	✓	✓	✓	✓	✓	✓
2,000	✓	✓	✓	✓	✓	✓	✓	✓	✓	✓	✓
3,000	✓	✓	✓	✓	✓	✓	✓	✓	✓	✓	✓
4,000	✓	✓	✓	✓	✓	✓	✓	✓	✓	✓	✓
5,000	✓	✓	✓	✓	✓	✓	✓	✓	✓	✓	✓
6,000	✓	✓	✓	✓	✓	✓	✓	✓	✓	✓	✓
7,200	✓	✓	✓	✓	✓	✓	✓	✓	✓	✓	✓
8,000	✓	✓	✓	✓	✓	✓	✓	✓	✓	✓	✓
9,000	✓	✓	✓	✓	✓	✓	✓	✓	✓	✓	✓
10,000	✓	✓	✓	✓	✓	✓	✓	✓	✓	✓	✓
12,000	✓	✓	✓	✓	✓	✓	✓	✓	✓	✓	✓
15,000	✓	✓	✓	✓	✓	✓	✓	✓	✓	✓	✓
16,500	✓	✓	✓	✓	✓	✓	✓	✓	✓	✓	✓
18,000	✓	✓	✓	✓	✓	✓	✓	✓	✓	✓	✓
18,750	✓	✓	✓	✓	✓	✓	✓	✓	✓	✓	✓
20,000	✓	✓	✓	✓	✓	✓	✓	✓	✓	✓	✓
22,000	✓	✓	✓	✓	✓	✓	✓	✓	✓	✓	✓
24,750	✓	✓	✓	✓	✓	✓	✓	✓	✓	✓	✓
25,000	✓	✓	✓	✓	✓	✓	✓	✓	✓	✓	✓
28,125	✓	✓	✓	✓	✓	✓	✓	✓	✓	✓	✓

Resolution Frame rate (fps)	256 × 256	256 × 224	256 × 192	256 × 160	256 × 128	128 × 128	128 × 96	128 × 64	128 × 48	128 × 32	128 × 16
30,000	✓	✓	✓	✓	✓	✓	✓	✓	✓	✓	✓
33,000	✓	✓	✓	✓	✓	✓	✓	✓	✓	✓	✓
37,500	✓	✓	✓	✓	✓	✓	✓	✓	✓	✓	✓
40,000	✓	✓	✓	✓	✓	✓	✓	✓	✓	✓	✓
44,000	✓	✓	✓	✓	✓	✓	✓	✓	✓	✓	✓
45,000	✓	✓	✓	✓	✓	✓	✓	✓	✓	✓	✓
50,000	✓	✓	✓	✓	✓	✓	✓	✓	✓	✓	✓
52,800	✓	✓	✓	✓	✓	✓	✓	✓	✓	✓	✓
56,250	✓	✓	✓	✓	✓	✓	✓	✓	✓	✓	✓
60,000	✓	✓	✓	✓	✓	✓	✓	✓	✓	✓	✓
62,500	✓	✓	✓	✓	✓	✓	✓	✓	✓	✓	✓
66,000	✓	✓	✓	✓	✓	✓	✓	✓	✓	✓	✓
68,750	✓	✓	✓	✓	✓	✓	✓	✓	✓	✓	✓
75,000	✓	✓	✓	✓	✓	✓	✓	✓	✓	✓	✓
82,500	✓	✓	✓	✓	✓	✓	✓	✓	✓	✓	✓
90,000	✓	✓	✓	✓	✓	✓	✓	✓	✓	✓	✓
93,750	✓	✓	✓	✓	✓	✓	✓	✓	✓	✓	✓
100,000	✓	✓	✓	✓	✓	✓	✓	✓	✓	✓	✓
112,500	✓	✓	✓	✓	✓	✓	✓	✓	✓	✓	✓
120,000	✓	✓	✓	✓	✓	✓	✓	✓	✓	✓	✓
137,500	✓	✓	✓	✓	✓	✓	✓	✓	✓	✓	✓
150,000	✓	✓	✓	✓	✓	✓	✓	✓	✓	✓	✓
165,000	✓	✓	✓	✓	✓	✓	✓	✓	✓	✓	✓
187,500		✓	✓	✓	✓	✓	✓	✓	✓	✓	✓
206,250			✓	✓	✓	✓	✓	✓	✓	✓	✓
220,000				✓	✓	✓	✓	✓	✓	✓	✓
225,000				✓	✓	✓	✓	✓	✓	✓	✓
type 200KS											
264,000					✓	✓	✓	✓	✓	✓	✓
300,000					✓	✓	✓	✓	✓	✓	✓
375,000						✓	✓	✓	✓	✓	✓
440,000							✓	✓	✓	✓	✓
450,000								✓	✓	✓	✓
550,000								✓	✓	✓	✓
type 550K											
660,000								✓	✓	✓	✓
750,000									✓	✓	✓
900,000										✓	✓
1,100,000											✓

The ✓ mark indicates a possible setting. Light blue items are the maximum resolution setting at that frame rate. This table shows default settings. Even finer settings are possible with the variable setting feature.

◆ type S16 (1,024 x 1,024 to 512 x 512)

Resolution Frame rate (fps)	1,024 x 1,024	1,024 x 912	1,024 x 848	1,024 x 768	1,024 x 640	1,024 x 512	896 x 896	768 x 768	768 x 672	768 x 560	768 x 496	640 x 640	640 x 512	640 x 480	512 x 512
2	✓	✓	✓	✓	✓	✓	✓	✓	✓	✓	✓	✓	✓	✓	✓
5	✓	✓	✓	✓	✓	✓	✓	✓	✓	✓	✓	✓	✓	✓	✓
10	✓	✓	✓	✓	✓	✓	✓	✓	✓	✓	✓	✓	✓	✓	✓
30	✓	✓	✓	✓	✓	✓	✓	✓	✓	✓	✓	✓	✓	✓	✓
50	✓	✓	✓	✓	✓	✓	✓	✓	✓	✓	✓	✓	✓	✓	✓
60	✓	✓	✓	✓	✓	✓	✓	✓	✓	✓	✓	✓	✓	✓	✓
125	✓	✓	✓	✓	✓	✓	✓	✓	✓	✓	✓	✓	✓	✓	✓
250	✓	✓	✓	✓	✓	✓	✓	✓	✓	✓	✓	✓	✓	✓	✓
500	✓	✓	✓	✓	✓	✓	✓	✓	✓	✓	✓	✓	✓	✓	✓
750	✓	✓	✓	✓	✓	✓	✓	✓	✓	✓	✓	✓	✓	✓	✓
1,000	✓	✓	✓	✓	✓	✓	✓	✓	✓	✓	✓	✓	✓	✓	✓
2,000	✓	✓	✓	✓	✓	✓	✓	✓	✓	✓	✓	✓	✓	✓	✓
3,000	✓	✓	✓	✓	✓	✓	✓	✓	✓	✓	✓	✓	✓	✓	✓
4,000	✓	✓	✓	✓	✓	✓	✓	✓	✓	✓	✓	✓	✓	✓	✓
5,000	✓	✓	✓	✓	✓	✓	✓	✓	✓	✓	✓	✓	✓	✓	✓
6,000	✓	✓	✓	✓	✓	✓	✓	✓	✓	✓	✓	✓	✓	✓	✓
7,200	✓	✓	✓	✓	✓	✓	✓	✓	✓	✓	✓	✓	✓	✓	✓
8,000	✓	✓	✓	✓	✓	✓	✓	✓	✓	✓	✓	✓	✓	✓	✓
9,000	✓	✓	✓	✓	✓	✓	✓	✓	✓	✓	✓	✓	✓	✓	✓
10,000	✓	✓	✓	✓	✓	✓	✓	✓	✓	✓	✓	✓	✓	✓	✓
12,500	✓	✓	✓	✓	✓	✓	✓	✓	✓	✓	✓	✓	✓	✓	✓
15,000	✓	✓	✓	✓	✓	✓	✓	✓	✓	✓	✓	✓	✓	✓	✓
16,000	✓	✓	✓	✓	✓	✓	✓	✓	✓	✓	✓	✓	✓	✓	✓
18,000		✓	✓	✓	✓	✓	✓	✓	✓	✓	✓	✓	✓	✓	✓
19,200			✓	✓	✓	✓	✓	✓	✓	✓	✓	✓	✓	✓	✓
20,000				✓	✓	✓	✓	✓	✓	✓	✓	✓	✓	✓	✓
25,000					✓	✓		✓	✓	✓	✓	✓	✓	✓	✓
30,000						✓			✓	✓	✓	✓	✓	✓	✓
36,000									✓	✓	✓	✓	✓	✓	✓
40,000										✓	✓		✓	✓	✓
45,000											✓		✓	✓	✓
48,000													✓	✓	✓
50,000															✓
60,000															
66,000															
75,000															
82,500															
90,000															
100,000															
120,000															
144,000															
150,000															
165,000															
180,000															
200,000															
220,000															
type 200KS															
240,000															
264,000															
300,000															
396,000															
412,500															
480,000															
550,000															
type 550K															
600,000															
660,000															
720,000															
825,000															
900,000															
1,100,000															

◆ type S16 (512 x 448 to 128 x 128)

Resolution Frame rate (fps)	512 x 448	512 x 384	512 x 336	512 x 304	512 x 256	384 x 384	384 x 336	384 x 256	384 x 240	256 x 256	256 x 240	256 x 208	256 x 160	256 x 128	128 x 128
2	✓	✓	✓	✓	✓	✓	✓	✓	✓	✓	✓	✓	✓	✓	✓
5	✓	✓	✓	✓	✓	✓	✓	✓	✓	✓	✓	✓	✓	✓	✓
10	✓	✓	✓	✓	✓	✓	✓	✓	✓	✓	✓	✓	✓	✓	✓
30	✓	✓	✓	✓	✓	✓	✓	✓	✓	✓	✓	✓	✓	✓	✓
50	✓	✓	✓	✓	✓	✓	✓	✓	✓	✓	✓	✓	✓	✓	✓
60	✓	✓	✓	✓	✓	✓	✓	✓	✓	✓	✓	✓	✓	✓	✓
125	✓	✓	✓	✓	✓	✓	✓	✓	✓	✓	✓	✓	✓	✓	✓
250	✓	✓	✓	✓	✓	✓	✓	✓	✓	✓	✓	✓	✓	✓	✓
500	✓	✓	✓	✓	✓	✓	✓	✓	✓	✓	✓	✓	✓	✓	✓
750	✓	✓	✓	✓	✓	✓	✓	✓	✓	✓	✓	✓	✓	✓	✓
1,000	✓	✓	✓	✓	✓	✓	✓	✓	✓	✓	✓	✓	✓	✓	✓
2,000	✓	✓	✓	✓	✓	✓	✓	✓	✓	✓	✓	✓	✓	✓	✓
3,000	✓	✓	✓	✓	✓	✓	✓	✓	✓	✓	✓	✓	✓	✓	✓
4,000	✓	✓	✓	✓	✓	✓	✓	✓	✓	✓	✓	✓	✓	✓	✓
5,000	✓	✓	✓	✓	✓	✓	✓	✓	✓	✓	✓	✓	✓	✓	✓
6,000	✓	✓	✓	✓	✓	✓	✓	✓	✓	✓	✓	✓	✓	✓	✓
7,200	✓	✓	✓	✓	✓	✓	✓	✓	✓	✓	✓	✓	✓	✓	✓
8,000	✓	✓	✓	✓	✓	✓	✓	✓	✓	✓	✓	✓	✓	✓	✓
9,000	✓	✓	✓	✓	✓	✓	✓	✓	✓	✓	✓	✓	✓	✓	✓
10,000	✓	✓	✓	✓	✓	✓	✓	✓	✓	✓	✓	✓	✓	✓	✓
12,500	✓	✓	✓	✓	✓	✓	✓	✓	✓	✓	✓	✓	✓	✓	✓
15,000	✓	✓	✓	✓	✓	✓	✓	✓	✓	✓	✓	✓	✓	✓	✓
16,000	✓	✓	✓	✓	✓	✓	✓	✓	✓	✓	✓	✓	✓	✓	✓
18,000	✓	✓	✓	✓	✓	✓	✓	✓	✓	✓	✓	✓	✓	✓	✓
19,200	✓	✓	✓	✓	✓	✓	✓	✓	✓	✓	✓	✓	✓	✓	✓
20,000	✓	✓	✓	✓	✓	✓	✓	✓	✓	✓	✓	✓	✓	✓	✓
25,000	✓	✓	✓	✓	✓	✓	✓	✓	✓	✓	✓	✓	✓	✓	✓
30,000	✓	✓	✓	✓	✓	✓	✓	✓	✓	✓	✓	✓	✓	✓	✓
36,000	✓	✓	✓	✓	✓	✓	✓	✓	✓	✓	✓	✓	✓	✓	✓
40,000	✓	✓	✓	✓	✓	✓	✓	✓	✓	✓	✓	✓	✓	✓	✓
45,000	✓	✓	✓	✓	✓	✓	✓	✓	✓	✓	✓	✓	✓	✓	✓
48,000	✓	✓	✓	✓	✓	✓	✓	✓	✓	✓	✓	✓	✓	✓	✓
50,000	✓	✓	✓	✓	✓	✓	✓	✓	✓	✓	✓	✓	✓	✓	✓
60,000	✓	✓	✓	✓	✓	✓	✓	✓	✓	✓	✓	✓	✓	✓	✓
66,000		✓	✓	✓	✓	✓	✓	✓	✓	✓	✓	✓	✓	✓	✓
75,000			✓	✓	✓	✓	✓	✓	✓	✓	✓	✓	✓	✓	✓
82,500				✓	✓	✓	✓	✓	✓	✓	✓	✓	✓	✓	✓
90,000					✓	✓	✓	✓	✓	✓	✓	✓	✓	✓	✓
100,000						✓	✓	✓	✓	✓	✓	✓	✓	✓	✓
120,000							✓	✓	✓	✓	✓	✓	✓	✓	✓
144,000								✓	✓	✓	✓	✓	✓	✓	✓
150,000									✓	✓	✓	✓	✓	✓	✓
165,000										✓	✓	✓	✓	✓	✓
180,000											✓	✓	✓	✓	✓
200,000												✓	✓	✓	✓
220,000													✓	✓	✓
type 200KS															
240,000														✓	✓
264,000														✓	✓
300,000															✓
396,000															
412,500															
480,000															
550,000															
type 550K															
600,000															
660,000															
720,000															
825,000															
900,000															
1,100,000															

◆ type S16 (128 x 96 to 128 x 16)

Resolution Frame rate (fps)	128 × 96	128 × 80	128 × 64	128 × 48	128 × 32	128 × 16
2	✓	✓	✓	✓	✓	✓
5	✓	✓	✓	✓	✓	✓
10	✓	✓	✓	✓	✓	✓
30	✓	✓	✓	✓	✓	✓
50	✓	✓	✓	✓	✓	✓
60	✓	✓	✓	✓	✓	✓
125	✓	✓	✓	✓	✓	✓
250	✓	✓	✓	✓	✓	✓
500	✓	✓	✓	✓	✓	✓
750	✓	✓	✓	✓	✓	✓
1,000	✓	✓	✓	✓	✓	✓
2,000	✓	✓	✓	✓	✓	✓
3,000	✓	✓	✓	✓	✓	✓
4,000	✓	✓	✓	✓	✓	✓
5,000	✓	✓	✓	✓	✓	✓
6,000	✓	✓	✓	✓	✓	✓
7,200	✓	✓	✓	✓	✓	✓
8,000	✓	✓	✓	✓	✓	✓
9,000	✓	✓	✓	✓	✓	✓
10,000	✓	✓	✓	✓	✓	✓
12,500	✓	✓	✓	✓	✓	✓
15,000	✓	✓	✓	✓	✓	✓
16,000	✓	✓	✓	✓	✓	✓
18,000	✓	✓	✓	✓	✓	✓
19,200	✓	✓	✓	✓	✓	✓
20,000	✓	✓	✓	✓	✓	✓
25,000	✓	✓	✓	✓	✓	✓
30,000	✓	✓	✓	✓	✓	✓
36,000	✓	✓	✓	✓	✓	✓
40,000	✓	✓	✓	✓	✓	✓
45,000	✓	✓	✓	✓	✓	✓
48,000	✓	✓	✓	✓	✓	✓
50,000	✓	✓	✓	✓	✓	✓
60,000	✓	✓	✓	✓	✓	✓
66,000	✓	✓	✓	✓	✓	✓
75,000	✓	✓	✓	✓	✓	✓
82,500	✓	✓	✓	✓	✓	✓
90,000	✓	✓	✓	✓	✓	✓
100,000	✓	✓	✓	✓	✓	✓
120,000	✓	✓	✓	✓	✓	✓
144,000	✓	✓	✓	✓	✓	✓
150,000	✓	✓	✓	✓	✓	✓
165,000	✓	✓	✓	✓	✓	✓
180,000	✓	✓	✓	✓	✓	✓
200,000	✓	✓	✓	✓	✓	✓
220,000	✓	✓	✓	✓	✓	✓
type 200KS						
240,000	✓	✓	✓	✓	✓	✓
264,000	✓	✓	✓	✓	✓	✓
300,000	✓	✓	✓	✓	✓	✓
396,000	✓	✓	✓	✓	✓	✓
412,500		✓	✓	✓	✓	✓
480,000			✓	✓	✓	✓
550,000			✓	✓	✓	✓
type 550K						
600,000			✓	✓	✓	✓
660,000				✓	✓	✓
720,000					✓	✓
825,000					✓	✓
900,000						✓
1,100,000						✓

The ✓ mark indicates a possible setting. Light blue items are the maximum resolution setting at that frame rate.

This table shows default settings. Even finer settings are possible with the variable setting feature.

◆ type S12 (1,024 x 1,024 to 512 x 480)

Resolution Frame rate (fps)	1,024 x 1,024	1,024 x 944	1,024 x 880	1,024 x 768	1,024 x 688	1,024 x 512	896 x 896	896 x 864	768 x 768	768 x 672	768 x 560	640 x 640	640 x 480	512 x 512	512 x 480
2	✓	✓	✓	✓	✓	✓	✓	✓	✓	✓	✓	✓	✓	✓	✓
5	✓	✓	✓	✓	✓	✓	✓	✓	✓	✓	✓	✓	✓	✓	✓
10	✓	✓	✓	✓	✓	✓	✓	✓	✓	✓	✓	✓	✓	✓	✓
30	✓	✓	✓	✓	✓	✓	✓	✓	✓	✓	✓	✓	✓	✓	✓
50	✓	✓	✓	✓	✓	✓	✓	✓	✓	✓	✓	✓	✓	✓	✓
60	✓	✓	✓	✓	✓	✓	✓	✓	✓	✓	✓	✓	✓	✓	✓
125	✓	✓	✓	✓	✓	✓	✓	✓	✓	✓	✓	✓	✓	✓	✓
250	✓	✓	✓	✓	✓	✓	✓	✓	✓	✓	✓	✓	✓	✓	✓
500	✓	✓	✓	✓	✓	✓	✓	✓	✓	✓	✓	✓	✓	✓	✓
750	✓	✓	✓	✓	✓	✓	✓	✓	✓	✓	✓	✓	✓	✓	✓
1,000	✓	✓	✓	✓	✓	✓	✓	✓	✓	✓	✓	✓	✓	✓	✓
2,000	✓	✓	✓	✓	✓	✓	✓	✓	✓	✓	✓	✓	✓	✓	✓
3,000	✓	✓	✓	✓	✓	✓	✓	✓	✓	✓	✓	✓	✓	✓	✓
4,000	✓	✓	✓	✓	✓	✓	✓	✓	✓	✓	✓	✓	✓	✓	✓
5,000	✓	✓	✓	✓	✓	✓	✓	✓	✓	✓	✓	✓	✓	✓	✓
6,000	✓	✓	✓	✓	✓	✓	✓	✓	✓	✓	✓	✓	✓	✓	✓
7,200	✓	✓	✓	✓	✓	✓	✓	✓	✓	✓	✓	✓	✓	✓	✓
8,000	✓	✓	✓	✓	✓	✓	✓	✓	✓	✓	✓	✓	✓	✓	✓
9,000	✓	✓	✓	✓	✓	✓	✓	✓	✓	✓	✓	✓	✓	✓	✓
10,000	✓	✓	✓	✓	✓	✓	✓	✓	✓	✓	✓	✓	✓	✓	✓
12,800	✓	✓	✓	✓	✓	✓	✓	✓	✓	✓	✓	✓	✓	✓	✓
15,000		✓	✓	✓	✓	✓	✓	✓	✓	✓	✓	✓	✓	✓	✓
16,000			✓	✓	✓	✓	✓	✓	✓	✓	✓	✓	✓	✓	✓
18,000				✓	✓	✓		✓	✓	✓	✓	✓	✓	✓	✓
20,000					✓	✓			✓	✓	✓	✓	✓	✓	✓
22,500						✓			✓	✓	✓	✓	✓	✓	✓
25,000						✓				✓	✓	✓	✓	✓	✓
30,000											✓	✓	✓	✓	✓
38,400													✓	✓	✓
40,000													✓	✓	✓
45,000															✓
50,000															
64,000															
75,000															
80,000															
90,000															
100,000															
115,200															
125,000															
160,000															
180,000															
200,000															
225,000															
type 200KS															
250,000															
288,000															
320,000															
400,000															
500,000															
type 500K															
576,000															
720,000															
750,000															
900,000															
1,000,000															

The ✓ mark indicates a possible setting. Light blue items are the maximum resolution setting at that frame rate.
 This table shows default settings. Even finer settings are possible with the variable setting feature.

◆ type S12 (512 x 384 to 128 x 16)

Resolution Frame rate (fps)	512 x 384	512 x 336	512 x 256	384 x 384	384 x 256	384 x 240	256 x 256	256 x 160	256 x 128	128 x 128	128 x 96	128 x 64	128 x 48	128 x 32	128 x 16
2	✓	✓	✓	✓	✓	✓	✓	✓	✓	✓	✓	✓	✓	✓	✓
5	✓	✓	✓	✓	✓	✓	✓	✓	✓	✓	✓	✓	✓	✓	✓
10	✓	✓	✓	✓	✓	✓	✓	✓	✓	✓	✓	✓	✓	✓	✓
30	✓	✓	✓	✓	✓	✓	✓	✓	✓	✓	✓	✓	✓	✓	✓
50	✓	✓	✓	✓	✓	✓	✓	✓	✓	✓	✓	✓	✓	✓	✓
60	✓	✓	✓	✓	✓	✓	✓	✓	✓	✓	✓	✓	✓	✓	✓
125	✓	✓	✓	✓	✓	✓	✓	✓	✓	✓	✓	✓	✓	✓	✓
250	✓	✓	✓	✓	✓	✓	✓	✓	✓	✓	✓	✓	✓	✓	✓
500	✓	✓	✓	✓	✓	✓	✓	✓	✓	✓	✓	✓	✓	✓	✓
750	✓	✓	✓	✓	✓	✓	✓	✓	✓	✓	✓	✓	✓	✓	✓
1,000	✓	✓	✓	✓	✓	✓	✓	✓	✓	✓	✓	✓	✓	✓	✓
2,000	✓	✓	✓	✓	✓	✓	✓	✓	✓	✓	✓	✓	✓	✓	✓
3,000	✓	✓	✓	✓	✓	✓	✓	✓	✓	✓	✓	✓	✓	✓	✓
4,000	✓	✓	✓	✓	✓	✓	✓	✓	✓	✓	✓	✓	✓	✓	✓
5,000	✓	✓	✓	✓	✓	✓	✓	✓	✓	✓	✓	✓	✓	✓	✓
6,000	✓	✓	✓	✓	✓	✓	✓	✓	✓	✓	✓	✓	✓	✓	✓
7,200	✓	✓	✓	✓	✓	✓	✓	✓	✓	✓	✓	✓	✓	✓	✓
8,000	✓	✓	✓	✓	✓	✓	✓	✓	✓	✓	✓	✓	✓	✓	✓
9,000	✓	✓	✓	✓	✓	✓	✓	✓	✓	✓	✓	✓	✓	✓	✓
10,000	✓	✓	✓	✓	✓	✓	✓	✓	✓	✓	✓	✓	✓	✓	✓
12,800	✓	✓	✓	✓	✓	✓	✓	✓	✓	✓	✓	✓	✓	✓	✓
15,000	✓	✓	✓	✓	✓	✓	✓	✓	✓	✓	✓	✓	✓	✓	✓
16,000	✓	✓	✓	✓	✓	✓	✓	✓	✓	✓	✓	✓	✓	✓	✓
18,000	✓	✓	✓	✓	✓	✓	✓	✓	✓	✓	✓	✓	✓	✓	✓
20,000	✓	✓	✓	✓	✓	✓	✓	✓	✓	✓	✓	✓	✓	✓	✓
22,500	✓	✓	✓	✓	✓	✓	✓	✓	✓	✓	✓	✓	✓	✓	✓
25,000	✓	✓	✓	✓	✓	✓	✓	✓	✓	✓	✓	✓	✓	✓	✓
30,000	✓	✓	✓	✓	✓	✓	✓	✓	✓	✓	✓	✓	✓	✓	✓
38,400	✓	✓	✓	✓	✓	✓	✓	✓	✓	✓	✓	✓	✓	✓	✓
40,000	✓	✓	✓	✓	✓	✓	✓	✓	✓	✓	✓	✓	✓	✓	✓
45,000	✓	✓	✓	✓	✓	✓	✓	✓	✓	✓	✓	✓	✓	✓	✓
50,000	✓	✓	✓	✓	✓	✓	✓	✓	✓	✓	✓	✓	✓	✓	✓
64,000		✓	✓	✓	✓	✓	✓	✓	✓	✓	✓	✓	✓	✓	✓
75,000			✓	✓	✓	✓	✓	✓	✓	✓	✓	✓	✓	✓	✓
80,000			✓	✓	✓	✓	✓	✓	✓	✓	✓	✓	✓	✓	✓
90,000				✓	✓	✓	✓	✓	✓	✓	✓	✓	✓	✓	✓
100,000					✓	✓	✓	✓	✓	✓	✓	✓	✓	✓	✓
115,200						✓	✓	✓	✓	✓	✓	✓	✓	✓	✓
125,000							✓	✓	✓	✓	✓	✓	✓	✓	✓
160,000								✓	✓	✓	✓	✓	✓	✓	✓
180,000									✓	✓	✓	✓	✓	✓	✓
200,000									✓	✓	✓	✓	✓	✓	✓
225,000									✓	✓	✓	✓	✓	✓	✓
type 200KS															
250,000										✓	✓	✓	✓	✓	✓
288,000										✓	✓	✓	✓	✓	✓
320,000											✓	✓	✓	✓	✓
400,000												✓	✓	✓	✓
500,000													✓	✓	✓
type 500K															
576,000													✓	✓	✓
720,000														✓	✓
750,000														✓	✓
900,000															✓
1,000,000															✓

The ✓ mark indicates a possible setting. Light blue items are the maximum resolution setting at that frame rate.
 This table shows default settings. Even finer settings are possible with the variable setting feature.

◆ type S9 (1,024 x 1,024 to 512 x 480)

Resolution Frame rate (fps)	1,024 x 1,024	1,024 x 992	1,024 x 896	1,024 x 768	1,024 x 640	1,024 x 576	1,024 x 512	896 x 896	896 x 512	768 x 768	768 x 512	640 x 640	640 x 480	512 x 512	512 x 480
2	✓	✓	✓	✓	✓	✓	✓	✓	✓	✓	✓	✓	✓	✓	✓
5	✓	✓	✓	✓	✓	✓	✓	✓	✓	✓	✓	✓	✓	✓	✓
10	✓	✓	✓	✓	✓	✓	✓	✓	✓	✓	✓	✓	✓	✓	✓
30	✓	✓	✓	✓	✓	✓	✓	✓	✓	✓	✓	✓	✓	✓	✓
50	✓	✓	✓	✓	✓	✓	✓	✓	✓	✓	✓	✓	✓	✓	✓
60	✓	✓	✓	✓	✓	✓	✓	✓	✓	✓	✓	✓	✓	✓	✓
125	✓	✓	✓	✓	✓	✓	✓	✓	✓	✓	✓	✓	✓	✓	✓
250	✓	✓	✓	✓	✓	✓	✓	✓	✓	✓	✓	✓	✓	✓	✓
500	✓	✓	✓	✓	✓	✓	✓	✓	✓	✓	✓	✓	✓	✓	✓
750	✓	✓	✓	✓	✓	✓	✓	✓	✓	✓	✓	✓	✓	✓	✓
1,000	✓	✓	✓	✓	✓	✓	✓	✓	✓	✓	✓	✓	✓	✓	✓
2,000	✓	✓	✓	✓	✓	✓	✓	✓	✓	✓	✓	✓	✓	✓	✓
3,000	✓	✓	✓	✓	✓	✓	✓	✓	✓	✓	✓	✓	✓	✓	✓
4,000	✓	✓	✓	✓	✓	✓	✓	✓	✓	✓	✓	✓	✓	✓	✓
5,000	✓	✓	✓	✓	✓	✓	✓	✓	✓	✓	✓	✓	✓	✓	✓
6,000	✓	✓	✓	✓	✓	✓	✓	✓	✓	✓	✓	✓	✓	✓	✓
7,200	✓	✓	✓	✓	✓	✓	✓	✓	✓	✓	✓	✓	✓	✓	✓
8,000	✓	✓	✓	✓	✓	✓	✓	✓	✓	✓	✓	✓	✓	✓	✓
9,000	✓	✓	✓	✓	✓	✓	✓	✓	✓	✓	✓	✓	✓	✓	✓
9,600		✓	✓	✓	✓	✓	✓	✓	✓	✓	✓	✓	✓	✓	✓
10,000			✓	✓	✓	✓	✓	✓	✓	✓	✓	✓	✓	✓	✓
12,000				✓	✓	✓	✓		✓	✓	✓	✓	✓	✓	✓
14,400					✓	✓	✓		✓	✓	✓	✓	✓	✓	✓
15,000						✓	✓		✓	✓	✓	✓	✓	✓	✓
16,000						✓	✓		✓		✓	✓	✓	✓	✓
18,000							✓		✓		✓	✓	✓	✓	✓
20,000									✓		✓	✓	✓	✓	✓
22,500											✓	✓	✓	✓	✓
25,000													✓	✓	✓
28,800														✓	✓
30,000														✓	✓
32,000															✓
38,400															
40,000															
45,000															
50,000															
64,000															
75,000															
80,000															
90,000															
100,000															
120,000															
160,000															
180,000															
200,000															
type 200KS															
250,000															
320,000															
400,000															
480,000															
500,000															
type 500K															
576,000															
750,000															
900,000															

The ✓ mark indicates a possible setting. Light blue items are the maximum resolution setting at that frame rate.
 This table shows default settings. Even finer settings are possible with the variable setting feature.

◆ type S9 (512 x 384 to 128 x 16)

Resolution Frame rate (fps)	512 x 384	512 x 336	384 x 384	384 x 336	384 x 256	256 x 256	256 x 160	256 x 128	128 x 128	128 x 96	128 x 64	128 x 48	128 x 32	128 x 16
2	✓	✓	✓	✓	✓	✓	✓	✓	✓	✓	✓	✓	✓	✓
5	✓	✓	✓	✓	✓	✓	✓	✓	✓	✓	✓	✓	✓	✓
10	✓	✓	✓	✓	✓	✓	✓	✓	✓	✓	✓	✓	✓	✓
30	✓	✓	✓	✓	✓	✓	✓	✓	✓	✓	✓	✓	✓	✓
50	✓	✓	✓	✓	✓	✓	✓	✓	✓	✓	✓	✓	✓	✓
60	✓	✓	✓	✓	✓	✓	✓	✓	✓	✓	✓	✓	✓	✓
125	✓	✓	✓	✓	✓	✓	✓	✓	✓	✓	✓	✓	✓	✓
250	✓	✓	✓	✓	✓	✓	✓	✓	✓	✓	✓	✓	✓	✓
500	✓	✓	✓	✓	✓	✓	✓	✓	✓	✓	✓	✓	✓	✓
750	✓	✓	✓	✓	✓	✓	✓	✓	✓	✓	✓	✓	✓	✓
1,000	✓	✓	✓	✓	✓	✓	✓	✓	✓	✓	✓	✓	✓	✓
2,000	✓	✓	✓	✓	✓	✓	✓	✓	✓	✓	✓	✓	✓	✓
3,000	✓	✓	✓	✓	✓	✓	✓	✓	✓	✓	✓	✓	✓	✓
4,000	✓	✓	✓	✓	✓	✓	✓	✓	✓	✓	✓	✓	✓	✓
5,000	✓	✓	✓	✓	✓	✓	✓	✓	✓	✓	✓	✓	✓	✓
6,000	✓	✓	✓	✓	✓	✓	✓	✓	✓	✓	✓	✓	✓	✓
7,200	✓	✓	✓	✓	✓	✓	✓	✓	✓	✓	✓	✓	✓	✓
8,000	✓	✓	✓	✓	✓	✓	✓	✓	✓	✓	✓	✓	✓	✓
9,000	✓	✓	✓	✓	✓	✓	✓	✓	✓	✓	✓	✓	✓	✓
9,600	✓	✓	✓	✓	✓	✓	✓	✓	✓	✓	✓	✓	✓	✓
10,000	✓	✓	✓	✓	✓	✓	✓	✓	✓	✓	✓	✓	✓	✓
12,000	✓	✓	✓	✓	✓	✓	✓	✓	✓	✓	✓	✓	✓	✓
14,400	✓	✓	✓	✓	✓	✓	✓	✓	✓	✓	✓	✓	✓	✓
15,000	✓	✓	✓	✓	✓	✓	✓	✓	✓	✓	✓	✓	✓	✓
16,000	✓	✓	✓	✓	✓	✓	✓	✓	✓	✓	✓	✓	✓	✓
18,000	✓	✓	✓	✓	✓	✓	✓	✓	✓	✓	✓	✓	✓	✓
20,000	✓	✓	✓	✓	✓	✓	✓	✓	✓	✓	✓	✓	✓	✓
22,500	✓	✓	✓	✓	✓	✓	✓	✓	✓	✓	✓	✓	✓	✓
25,000	✓	✓	✓	✓	✓	✓	✓	✓	✓	✓	✓	✓	✓	✓
28,800	✓	✓	✓	✓	✓	✓	✓	✓	✓	✓	✓	✓	✓	✓
30,000	✓	✓	✓	✓	✓	✓	✓	✓	✓	✓	✓	✓	✓	✓
32,000	✓	✓	✓	✓	✓	✓	✓	✓	✓	✓	✓	✓	✓	✓
38,400	✓	✓	✓	✓	✓	✓	✓	✓	✓	✓	✓	✓	✓	✓
40,000		✓	✓	✓	✓	✓	✓	✓	✓	✓	✓	✓	✓	✓
45,000			✓	✓	✓	✓	✓	✓	✓	✓	✓	✓	✓	✓
50,000				✓	✓	✓	✓	✓	✓	✓	✓	✓	✓	✓
64,000					✓	✓	✓	✓	✓	✓	✓	✓	✓	✓
75,000						✓	✓	✓	✓	✓	✓	✓	✓	✓
80,000						✓	✓	✓	✓	✓	✓	✓	✓	✓
90,000							✓	✓	✓	✓	✓	✓	✓	✓
100,000							✓	✓	✓	✓	✓	✓	✓	✓
120,000							✓	✓	✓	✓	✓	✓	✓	✓
160,000								✓	✓	✓	✓	✓	✓	✓
180,000									✓	✓	✓	✓	✓	✓
200,000									✓	✓	✓	✓	✓	✓
type 200KS														
250,000										✓	✓	✓	✓	✓
320,000											✓	✓	✓	✓
400,000											✓	✓	✓	✓
480,000												✓	✓	✓
500,000													✓	✓
type 500K														
576,000													✓	✓
750,000														✓
900,000														✓

The ✓ mark indicates a possible setting. Light blue items are the maximum resolution setting at that frame rate.
 This table shows default settings. Even finer settings are possible with the variable setting feature.

◆ type S6 (1,024 x 1,024 to 512 x 480)

Resolution Frame rate (fps)	1,024 x 1,024	1,024 x 992	1,024 x 896	1,024 x 768	1,024 x 672	1,024 x 576	1,024 x 512	896 x 896	896 x 512	768 x 768	768 x 512	640 x 640	640 x 480	512 x 512	512 x 480
2	✓	✓	✓	✓	✓	✓	✓	✓	✓	✓	✓	✓	✓	✓	✓
5	✓	✓	✓	✓	✓	✓	✓	✓	✓	✓	✓	✓	✓	✓	✓
10	✓	✓	✓	✓	✓	✓	✓	✓	✓	✓	✓	✓	✓	✓	✓
30	✓	✓	✓	✓	✓	✓	✓	✓	✓	✓	✓	✓	✓	✓	✓
50	✓	✓	✓	✓	✓	✓	✓	✓	✓	✓	✓	✓	✓	✓	✓
60	✓	✓	✓	✓	✓	✓	✓	✓	✓	✓	✓	✓	✓	✓	✓
125	✓	✓	✓	✓	✓	✓	✓	✓	✓	✓	✓	✓	✓	✓	✓
250	✓	✓	✓	✓	✓	✓	✓	✓	✓	✓	✓	✓	✓	✓	✓
500	✓	✓	✓	✓	✓	✓	✓	✓	✓	✓	✓	✓	✓	✓	✓
750	✓	✓	✓	✓	✓	✓	✓	✓	✓	✓	✓	✓	✓	✓	✓
1,000	✓	✓	✓	✓	✓	✓	✓	✓	✓	✓	✓	✓	✓	✓	✓
2,000	✓	✓	✓	✓	✓	✓	✓	✓	✓	✓	✓	✓	✓	✓	✓
3,000	✓	✓	✓	✓	✓	✓	✓	✓	✓	✓	✓	✓	✓	✓	✓
4,000	✓	✓	✓	✓	✓	✓	✓	✓	✓	✓	✓	✓	✓	✓	✓
5,000	✓	✓	✓	✓	✓	✓	✓	✓	✓	✓	✓	✓	✓	✓	✓
6,000	✓	✓	✓	✓	✓	✓	✓	✓	✓	✓	✓	✓	✓	✓	✓
6,400	✓	✓	✓	✓	✓	✓	✓	✓	✓	✓	✓	✓	✓	✓	✓
7,200		✓	✓	✓	✓	✓	✓	✓	✓	✓	✓	✓	✓	✓	✓
8,000			✓	✓	✓	✓	✓	✓	✓	✓	✓	✓	✓	✓	✓
9,000				✓	✓	✓	✓		✓	✓	✓	✓	✓	✓	✓
10,000					✓	✓	✓		✓	✓	✓	✓	✓	✓	✓
12,000						✓	✓		✓		✓	✓	✓	✓	✓
12,800							✓		✓		✓	✓	✓	✓	✓
15,000									✓		✓	✓	✓	✓	✓
16,000											✓	✓	✓	✓	✓
18,000													✓	✓	✓
20,000														✓	✓
22,500															✓
24,000															✓
28,800															
30,000															
32,000															
36,000															
40,000															
50,000															
64,000															
75,000															
80,000															
90,000															
100,000															
125,000															
160,000															
180,000															
200,000															
type 200KS															
250,000															
300,000															
320,000															
400,000															
500,000															
type 500K															
576,000															
800,000															

The ✓ mark indicates a possible setting. Light blue items are the maximum resolution setting at that frame rate.
 This table shows default settings. Even finer settings are possible with the variable setting feature.

◆ type S6 (512 x 384 to 128 x 16)

Resolution Frame rate (fps)	512 x 384	512 x 336	384 x 384	384 x 336	384 x 256	256 x 256	256 x 160	256 x 128	128 x 128	128 x 96	128 x 64	128 x 48	128 x 32	128 x 16
2	✓	✓	✓	✓	✓	✓	✓	✓	✓	✓	✓	✓	✓	✓
5	✓	✓	✓	✓	✓	✓	✓	✓	✓	✓	✓	✓	✓	✓
10	✓	✓	✓	✓	✓	✓	✓	✓	✓	✓	✓	✓	✓	✓
30	✓	✓	✓	✓	✓	✓	✓	✓	✓	✓	✓	✓	✓	✓
50	✓	✓	✓	✓	✓	✓	✓	✓	✓	✓	✓	✓	✓	✓
60	✓	✓	✓	✓	✓	✓	✓	✓	✓	✓	✓	✓	✓	✓
125	✓	✓	✓	✓	✓	✓	✓	✓	✓	✓	✓	✓	✓	✓
250	✓	✓	✓	✓	✓	✓	✓	✓	✓	✓	✓	✓	✓	✓
500	✓	✓	✓	✓	✓	✓	✓	✓	✓	✓	✓	✓	✓	✓
750	✓	✓	✓	✓	✓	✓	✓	✓	✓	✓	✓	✓	✓	✓
1,000	✓	✓	✓	✓	✓	✓	✓	✓	✓	✓	✓	✓	✓	✓
2,000	✓	✓	✓	✓	✓	✓	✓	✓	✓	✓	✓	✓	✓	✓
3,000	✓	✓	✓	✓	✓	✓	✓	✓	✓	✓	✓	✓	✓	✓
4,000	✓	✓	✓	✓	✓	✓	✓	✓	✓	✓	✓	✓	✓	✓
5,000	✓	✓	✓	✓	✓	✓	✓	✓	✓	✓	✓	✓	✓	✓
6,000	✓	✓	✓	✓	✓	✓	✓	✓	✓	✓	✓	✓	✓	✓
6,400	✓	✓	✓	✓	✓	✓	✓	✓	✓	✓	✓	✓	✓	✓
7,200	✓	✓	✓	✓	✓	✓	✓	✓	✓	✓	✓	✓	✓	✓
8,000	✓	✓	✓	✓	✓	✓	✓	✓	✓	✓	✓	✓	✓	✓
9,000	✓	✓	✓	✓	✓	✓	✓	✓	✓	✓	✓	✓	✓	✓
10,000	✓	✓	✓	✓	✓	✓	✓	✓	✓	✓	✓	✓	✓	✓
12,000	✓	✓	✓	✓	✓	✓	✓	✓	✓	✓	✓	✓	✓	✓
12,800	✓	✓	✓	✓	✓	✓	✓	✓	✓	✓	✓	✓	✓	✓
15,000	✓	✓	✓	✓	✓	✓	✓	✓	✓	✓	✓	✓	✓	✓
16,000	✓	✓	✓	✓	✓	✓	✓	✓	✓	✓	✓	✓	✓	✓
18,000	✓	✓	✓	✓	✓	✓	✓	✓	✓	✓	✓	✓	✓	✓
20,000	✓	✓	✓	✓	✓	✓	✓	✓	✓	✓	✓	✓	✓	✓
22,500	✓	✓	✓	✓	✓	✓	✓	✓	✓	✓	✓	✓	✓	✓
24,000	✓	✓	✓	✓	✓	✓	✓	✓	✓	✓	✓	✓	✓	✓
28,800	✓	✓	✓	✓	✓	✓	✓	✓	✓	✓	✓	✓	✓	✓
30,000	✓	✓	✓	✓	✓	✓	✓	✓	✓	✓	✓	✓	✓	✓
32,000		✓	✓	✓	✓	✓	✓	✓	✓	✓	✓	✓	✓	✓
36,000			✓	✓	✓	✓	✓	✓	✓	✓	✓	✓	✓	✓
40,000				✓	✓	✓	✓	✓	✓	✓	✓	✓	✓	✓
50,000					✓	✓	✓	✓	✓	✓	✓	✓	✓	✓
64,000						✓	✓	✓	✓	✓	✓	✓	✓	✓
75,000							✓	✓	✓	✓	✓	✓	✓	✓
80,000							✓	✓	✓	✓	✓	✓	✓	✓
90,000							✓	✓	✓	✓	✓	✓	✓	✓
100,000								✓	✓	✓	✓	✓	✓	✓
125,000								✓	✓	✓	✓	✓	✓	✓
160,000									✓	✓	✓	✓	✓	✓
180,000										✓	✓	✓	✓	✓
200,000										✓	✓	✓	✓	✓
type 200KS														
250,000											✓	✓	✓	✓
300,000											✓	✓	✓	✓
320,000											✓	✓	✓	✓
400,000												✓	✓	✓
500,000													✓	✓
type 500K														
576,000														✓
800,000														✓

The ✓ mark indicates a possible setting. Light blue items are the maximum resolution setting at that frame rate.

This table shows default settings. Even finer settings are possible with the variable setting feature.

3.1.6 Recordable Frames / Resolution

◆ type S20 (10bit)

Resolution	8GB Model Rec. Frames	16GB Model Rec. Frames	32GB Model Rec. Frames	64GB Model Rec. Frames	128GB Model Rec. Frames
1,024 x 1,024	6,524	13,078	26,185	52,400	104,828
1,024 x 922	6,735	13,500	27,030	54,090	108,210
1,024 x 768	8,699	17,437	34,914	69,866	139,771
1,024 x 512	13,049	26,156	52,371	104,800	209,657
896 x 896	8,522	17,081	34,201	68,440	136,919
768 x 768	11,599	23,250	46,552	93,155	186,362
640 x 480	22,271	44,640	89,380	178,858	357,815
512 x 512	26,099	52,313	104,742	209,600	419,315
512 x 384	34,798	69,751	139,656	279,466	559,086
512 x 256	52,198	104,627	209,484	419,200	838,630
384 x 384	46,398	93,001	186,208	372,622	745,449
384 x 256	69,597	139,502	279,313	558,933	1,118,173
256 x 256	104,396	209,254	418,969	838,400	1,677,260
256 x 128	208,793	418,508	837,939	1,676,800	3,354,521
128 x 128	417,587	837,017	1,675,878	3,353,600	6,709,043
128 x 96	556,782	1,116,023	2,234,504	4,471,466	8,945,390
128 x 64	835,174	1,674,035	3,351,756	6,707,200	13,418,086
128 x 32	1,670,348	3,348,070	6,703,513	13,414,400	26,836,172

* Recording Time = Rec. Frames x 1/frame rate (fps)

◆ type S20 (12bit)

Resolution	8GB Model Rec. Frames	16GB Model Rec. Frames	32GB Model Rec. Frames	64GB Model Rec. Frames	128GB Model Rec. Frames
1,024 x 1,024	5,437	10,898	21,821	43,666	87,357
1,024 x 922	5,612	11,250	22,525	45,075	90,175
1,024 x 768	7,249	14,531	29,095	58,222	116,476
1,024 x 512	10,874	21,797	43,642	87,333	174,714
896 x 896	7,101	14,234	28,501	57,034	114,099
768 x 768	9,666	19,375	38,793	77,629	155,301
640 x 480	18,559	37,200	74,483	149,048	298,179
512 x 512	21,749	43,594	87,285	174,666	349,429
512 x 384	28,999	58,126	116,380	232,888	465,905
512 x 256	43,498	87,189	174,570	349,333	698,858
384 x 384	38,665	77,501	155,173	310,518	621,207
384 x 256	57,998	116,252	232,760	465,777	931,811
256 x 256	86,997	174,378	349,141	698,666	1,397,717
256 x 128	173,994	348,757	698,282	1,397,333	2,795,434
128 x 128	347,989	697,514	1,396,565	2,794,666	5,590,869
128 x 96	463,985	930,019	1,862,087	3,726,222	7,454,492
128 x 64	695,978	1,395,029	2,793,130	5,589,333	11,181,738
128 x 32	1,391,957	2,790,058	5,586,261	11,178,666	22,363,477

* Recording Time = Rec. Frames x 1/frame rate (fps)



NOTE

Contact Photron for the recordable frames for other resolutions.

◆ type S6/9/12/16

Resolution	8GB Model Rec. Frames	16GB Model Rec. Frames	32GB Model Rec. Frames	64GB Model Rec. Frames	128GB Model Rec. Frames
1,024 x 1,024	5,437	10,898	21,821	43,666	87,357
1,024 x 768	7,249	14,531	29,095	58,222	116,476
1,024 x 512	10,874	21,797	43,642	87,333	174,714
896 x 896	7,101	14,234	28,501	57,034	114,099
768 x 768	9,666	19,375	38,793	77,629	155,301
640 x 640	13,919	27,900	55,862	111,786	223,634
640 x 480	18,559	37,200	74,483	149,048	298,179
512 x 512	21,749	43,594	87,285	174,666	349,429
512 x 384	28,999	58,126	116,380	232,888	465,905
512 x 256	43,498	87,189	174,570	349,333	698,858
384 x 384	38,665	77,501	155,173	310,518	621,207
256 x 256	86,997	174,378	349,141	698,666	1,397,717
256 x 128	173,994	348,757	698,282	1,397,333	2,795,434
128 x 128	347,989	697,514	1,396,565	2,794,666	5,590,869
128 x 96	463,985	930,019	1,862,087	3,726,222	7,454,492
128 x 64	695,978	1,395,029	2,793,130	5,589,333	11,181,738
128 x 32	1,391,957	2,790,058	5,586,261	11,178,666	22,363,477

* Recording Time = Rec. Frames x 1/frame rate (fps)

 **NOTE**

Contact Photron for the recordable frames for other resolutions.

3.1.7 Recordable Time / Resolution

◆ type S20 (10bit)

Resolution	Max Framerate	8GB Model Rec. Time	16GB Model Rec. Time	32GB Model Rec. Time	64GB Model Rec. Time	128GB Model Rec. Time
1,024 x 1,024	18,750	0.348	0.697	1.397	2.795	5.591
1,024 x 922	20,000	0.337	0.675	1.352	2.705	5.411
1,024 x 768	25,000	0.348	0.697	1.397	2.795	5.591
1,024 x 512	37,500	0.348	0.697	1.397	2.795	5.591
896 x 896	24,750	0.344	0.690	1.382	2.765	5.532
768 x 768	33,000	0.351	0.705	1.411	2.823	5.647
640 x 480	56,250	0.396	0.794	1.589	3.180	6.361
512 x 512	62,500	0.418	0.837	1.676	3.354	6.709
512 x 384	82,500	0.422	0.845	1.693	3.387	6.777
512 x 256	112,500	0.464	0.930	1.862	3.726	7.454
384 x 384	100,000	0.464	0.930	1.862	3.726	7.454
384 x 256	137,500	0.506	1.015	2.031	4.065	8.132
256 x 256	165,000	0.633	1.268	2.539	5.081	10.165
256 x 128	300,000	0.696	1.395	2.793	5.589	11.182
128 x 128	375,000	1.114	2.232	4.469	8.943	17.891
128 x 96	440,000	1.265	2.536	5.078	10.162	20.330
128 x 64	660,000	1.265	2.536	5.078	10.162	20.330
128 x 32	900,000	1.856	3.720	7.448	14.905	29.818

The unit in the chart is seconds.

◆ type S20 (12bit)

Resolution	Max Framerate	8GB Model Rec. Time	16GB Model Rec. Time	32GB Model Rec. Time	64GB Model Rec. Time	128GB Model Rec. Time
1,024 x 1,024	16,500	0.330	0.660	1.322	2.646	5.294
1,024 x 922	16,500	0.340	0.682	1.365	2.732	5.465
1,024 x 768	22,000	0.330	0.661	1.323	2.646	5.294
1,024 x 512	33,000	0.330	0.661	1.323	2.646	5.294
896 x 896	20,000	0.355	0.712	1.425	2.852	5.705
768 x 768	28,125	0.344	0.689	1.379	2.760	5.522
640 x 480	52,800	0.351	0.705	1.411	2.823	5.647
512 x 512	56,250	0.387	0.775	1.552	3.105	6.212
512 x 384	75,000	0.387	0.775	1.552	3.105	6.212
512 x 256	93,750	0.464	0.930	1.862	3.726	7.454
384 x 384	93,750	0.412	0.827	1.655	3.312	6.626
384 x 256	137,500	0.422	0.845	1.693	3.387	6.777
256 x 256	165,000	0.527	1.057	2.116	4.234	8.471
256 x 128	300,000	0.580	1.163	2.328	4.658	9.318
128 x 128	375,000	0.928	1.860	3.724	7.452	14.909
128 x 96	440,000	1.055	2.114	4.232	8.469	16.942
128 x 64	660,000	1.055	2.114	4.232	8.469	16.942
128 x 32	900,000	1.547	3.100	6.207	12.421	24.848

The unit in the chart is seconds.

NOTE

Contact Photron for the recordable time for other resolutions.

◆ type S16

Resolution	Max Framerate	8GB Model Rec. Time	16GB Model Rec. Time	32GB Model Rec. Time	64GB Model Rec. Time	128GB Model Rec. Time
1,024 x 1,024	16,000	0.340	0.681	1.364	2.729	5.460
1,024 x 768	20,000	0.362	0.727	1.455	2.911	5.824
1,024 x 512	30,000	0.362	0.727	1.455	2.911	5.824
896 x 896	20,000	0.377	0.757	1.515	3.032	6.065
768 x 768	25,000	0.387	0.775	1.552	3.105	6.212
640 x 640	36,000	0.387	0.775	1.552	3.105	6.212
640 x 480	48,000	0.387	0.775	1.552	3.105	6.212
512 x 512	50,000	0.435	0.872	1.746	3.493	6.989
512 x 384	66,000	0.439	0.881	1.763	3.529	7.059
512 x 256	90,000	0.483	0.969	1.940	3.881	7.765
384 x 384	82,500	0.469	0.939	1.881	3.764	7.530
256 x 256	144,000	0.604	1.211	2.425	4.852	9.706
256 x 128	264,000	0.659	1.321	2.645	5.293	10.589
128 x 128	300,000	1.160	2.325	4.655	9.316	18.636
128 x 96	396,000	1.172	2.349	4.702	9.410	18.824
128 x 64	600,000	1.160	2.325	4.655	9.316	18.636
128 x 32	825,000	1.687	3.382	6.771	13.550	27.107

The unit in the chart is seconds.

 **NOTE**

Contact Photron for the recordable time for other resolutions.

◆ type S12

Resolution	Max Framerate	8GB Model Rec. Time	16GB Model Rec. Time	32GB Model Rec. Time	64GB Model Rec. Time	128GB Model Rec. Time
1,024 x 1,024	12,800	0.425	0.851	1.705	3.411	6.825
1,024 x 768	18,000	0.403	0.807	1.616	3.235	6.471
1,024 x 512	25,000	0.435	0.872	1.746	3.493	6.989
896 x 896	16,000	0.444	0.890	1.781	3.565	7.131
768 x 768	22,500	0.430	0.861	1.724	3.450	6.902
640 x 640	30,000	0.464	0.930	1.862	3.726	7.454
640 x 480	40,000	0.464	0.930	1.862	3.726	7.454
512 x 512	40,000	0.544	1.090	2.182	4.367	8.736
512 x 384	50,000	0.580	1.163	2.328	4.658	9.318
512 x 256	80,000	0.544	1.090	2.182	4.367	8.736
384 x 384	64,000	0.604	1.211	2.425	4.852	9.706
256 x 256	115,200	0.755	1.514	3.031	6.065	12.133
256 x 128	225,000	0.773	1.550	3.103	6.210	12.424
128 x 128	288,000	1.208	2.422	4.849	9.704	19.413
128 x 96	320,000	1.450	2.906	5.819	11.644	23.295
128 x 64	500,000	1.392	2.790	5.586	11.179	22.363
128 x 32	750,000	1.856	3.720	7.448	14.905	29.818

The unit in the chart is seconds.

 **NOTE**

Contact Photron for the recordable time for other resolutions.

◆ type S9

Resolution	Max Framerate	8GB Model Rec. Time	16GB Model Rec. Time	32GB Model Rec. Time	64GB Model Rec. Time	128GB Model Rec. Time
1,024 x 1,024	9,000	0.604	1.211	2.425	4.852	9.706
1,024 x 768	12,000	0.604	1.211	2.425	4.852	9.706
1,024 x 512	18,000	0.604	1.211	2.425	4.852	9.706
896 x 896	10,000	0.710	1.423	2.850	5.703	11.410
768 x 768	15,000	0.644	1.292	2.586	5.175	10.353
640 x 640	20,000	0.696	1.395	2.793	5.589	11.182
640 x 480	25,000	0.742	1.488	2.979	5.962	11.927
512 x 512	30,000	0.725	1.453	2.910	5.822	11.648
512 x 384	38,400	0.755	1.514	3.031	6.065	12.133
384 x 384	45,000	0.859	1.722	3.448	6.900	13.805
256 x 256	80,000	1.087	2.180	4.364	8.733	17.471
256 x 128	160,000	1.087	2.180	4.364	8.733	17.471
128 x 128	200,000	1.740	3.488	6.983	13.973	27.954
128 x 96	250,000	1.856	3.720	7.448	14.905	29.818
128 x 64	400,000	1.740	3.488	6.983	13.973	27.954
128 x 32	576,000	2.417	4.844	9.698	19.407	38.825

The unit in the chart is seconds.

 **NOTE**

Contact Photron for the recordable time for other resolutions.

◆ type S6

Resolution	Max Framerate	8GB Model Rec. Time	16GB Model Rec. Time	32GB Model Rec. Time	64GB Model Rec. Time	128GB Model Rec. Time
1,024 x 1,024	6,400	0.850	1.703	3.410	6.823	13.650
1,024 x 768	9,000	0.805	1.615	3.233	6.469	12.942
1,024 x 512	12,800	0.850	1.703	3.410	6.823	13.650
896 x 896	8,000	0.888	1.779	3.563	7.129	14.262
768 x 768	10,000	0.967	1.938	3.879	7.763	15.530
640 x 640	16,000	0.870	1.744	3.491	6.987	13.977
640 x 480	20,000	0.928	1.860	3.724	7.452	14.909
512 x 512	22,500	0.967	1.938	3.879	7.763	15.530
512 x 384	30,000	0.967	1.938	3.879	7.763	15.530
384 x 384	36,000	1.074	2.153	4.310	8.626	17.256
256 x 256	64,000	1.359	2.725	5.455	10.917	21.839
256 x 128	125,000	1.392	2.790	5.586	11.179	22.363
128 x 128	160,000	2.175	4.359	8.729	17.467	34.943
128 x 96	200,000	2.320	4.650	9.310	18.631	37.272
128 x 64	320,000	2.175	4.359	8.729	17.467	34.943
128 x 32	500,000	2.784	5.580	11.173	22.357	44.727

The unit in the chart is seconds.

 **NOTE**

Contact Photron for the recordable time for other resolutions.

3.1.8 Shutter Speed List

◆ S20

- 1/frame sec
- 1/50 sec
- 1/60 sec
- 1/100 sec
- 1/200 sec
- 1/500 sec
- 1/1,000 sec
- 1/2,000 sec
- 1/3,000 sec
- 1/4,000 sec
- 1/5,000 sec
- 1/6,000 sec
- 1/7,000 sec
- 1/8,000 sec
- 1/9,000 sec
- 1/10,000 sec
- 1/12,000 sec
- 1/14,000 sec
- 1/16,000 sec
- 1/18,000 sec
- 1/20,000 sec
- 1/25,000 sec
- 1/30,000 sec
- 1/40,000 sec
- 1/50,000 sec
- 1/60,000 sec
- 1/70,000 sec
- 1/80,000 sec
- 1/90,000 sec
- 1/100,000 sec
- 1/150,000 sec
- 1/200,000 sec
- 1/250,000 sec
- 1/300,000 sec
- 1/400,000 sec
- 1/500,000 sec
- 1/600,000 sec
- 1/700,000 sec
- 1/800,000 sec
- 1/900,000 sec

◆ S16

- 1/frame sec
- 1/50 sec
- 1/60 sec
- 1/100 sec
- 1/200 sec
- 1/500 sec
- 1/1,000 sec
- 1/2,000 sec
- 1/3,000 sec
- 1/4,000 sec
- 1/5,000 sec
- 1/6,000 sec
- 1/7,000 sec
- 1/8,000 sec
- 1/9,000 sec
- 1/10,000 sec
- 1/12,000 sec
- 1/14,000 sec
- 1/16,000 sec
- 1/18,000 sec
- 1/20,000 sec
- 1/25,000 sec
- 1/30,000 sec
- 1/40,000 sec
- 1/50,000 sec
- 1/60,000 sec
- 1/70,000 sec
- 1/80,000 sec
- 1/90,000 sec
- 1/100,000 sec
- 1/150,000 sec
- 1/200,000 sec
- 1/250,000 sec
- 1/300,000 sec
- 1/400,000 sec
- 1/500,000 sec
- 1/600,000 sec
- 1/700,000 sec
- 1/800,000 sec
- 1/950,000 sec

◆ S6/9/12

- 1/frame sec
- 1/50 sec
- 1/60 sec
- 1/100 sec
- 1/200 sec
- 1/500 sec
- 1/1,000 sec
- 1/2,000 sec
- 1/3,000 sec
- 1/4,000 sec
- 1/5,000 sec
- 1/6,000 sec
- 1/7,000 sec
- 1/8,000 sec
- 1/9,000 sec
- 1/10,000 sec
- 1/12,000 sec
- 1/14,000 sec
- 1/16,000 sec
- 1/18,000 sec
- 1/20,000 sec
- 1/25,000 sec
- 1/30,000 sec
- 1/40,000 sec
- 1/50,000 sec
- 1/60,000 sec
- 1/70,000 sec
- 1/80,000 sec
- 1/90,000 sec
- 1/100,000 sec
- 1/150,000 sec
- 1/200,000 sec
- 1/250,000 sec
- 1/300,000 sec
- 1/400,000 sec
- 1/500,000 sec
- 1/600,000 sec
- 1/700,000 sec
- 1/800,000 sec
- 1/950,000 sec

type 200KS, type 500K, type 550K

- 1/1,000,000 sec
- 1/1,500,000 sec
- 1/2,000,000 sec
- 1/3,000,000 sec
- 1/4,950,000 sec

- 1/1,500,000 sec
- 1/2,000,000 sec
- 1/3,000,000 sec
- 1/4,950,000 sec

- 1/1,500,000 sec
- 1/2,000,000 sec
- 1/3,000,000 sec
- 1/4,800,000 sec

3.1.9 Timing Diagram

This is a timing diagram that describes the relationship between the input and output signals to the product and the timing to start recording.

This timing diagram is a schematic diagram, and more detailed operations are described in the following pages.

Use it as a reference when linking with other devices or building a system.

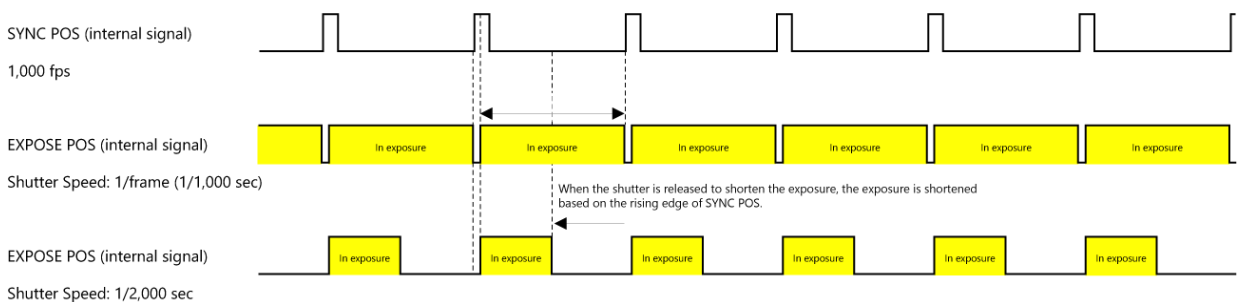


NOTE

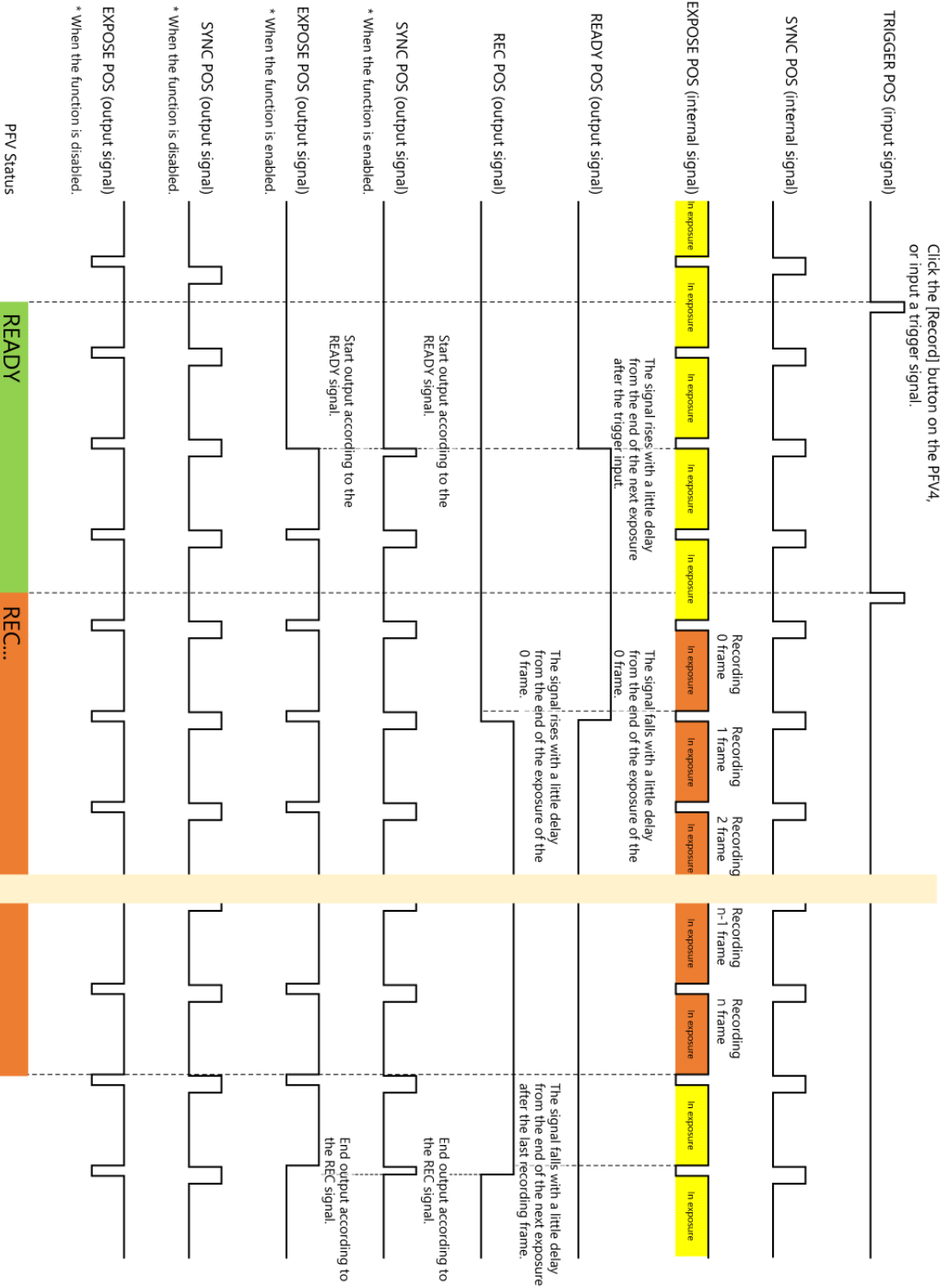
- This timing diagram is a schematic diagram and does not represent the accuracy of the actual signal.
- “n frame” means the number of frames that can be recorded.
- The “* When the function is enabled/disabled” in diagrams indicates the difference depending on whether the “Output SYNC and EXPOSE only during Ready and Rec states” function is enabled or disabled.
- For more detailed information, refer to “5.1 Contact Information” on page 102 and contact Photron.

■ Relationship between SYNC POS and EXPOSE POS

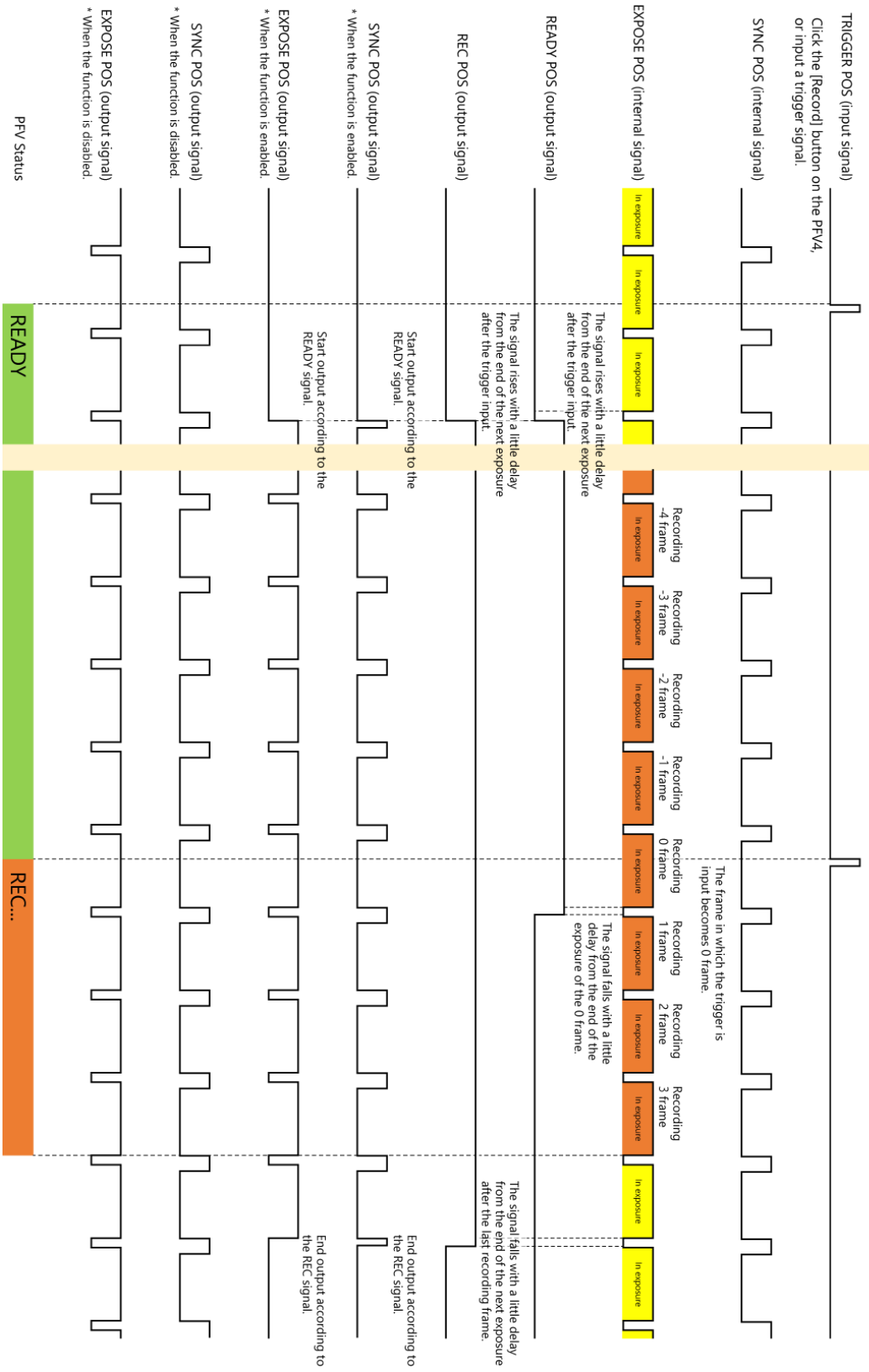
The exposure (EXPOSE) of this system is linked to the SYNC signal (camera drive), and when the shutter is released to shorten the exposure, the exposure is shortened based on the rising edge of SYNC POS.



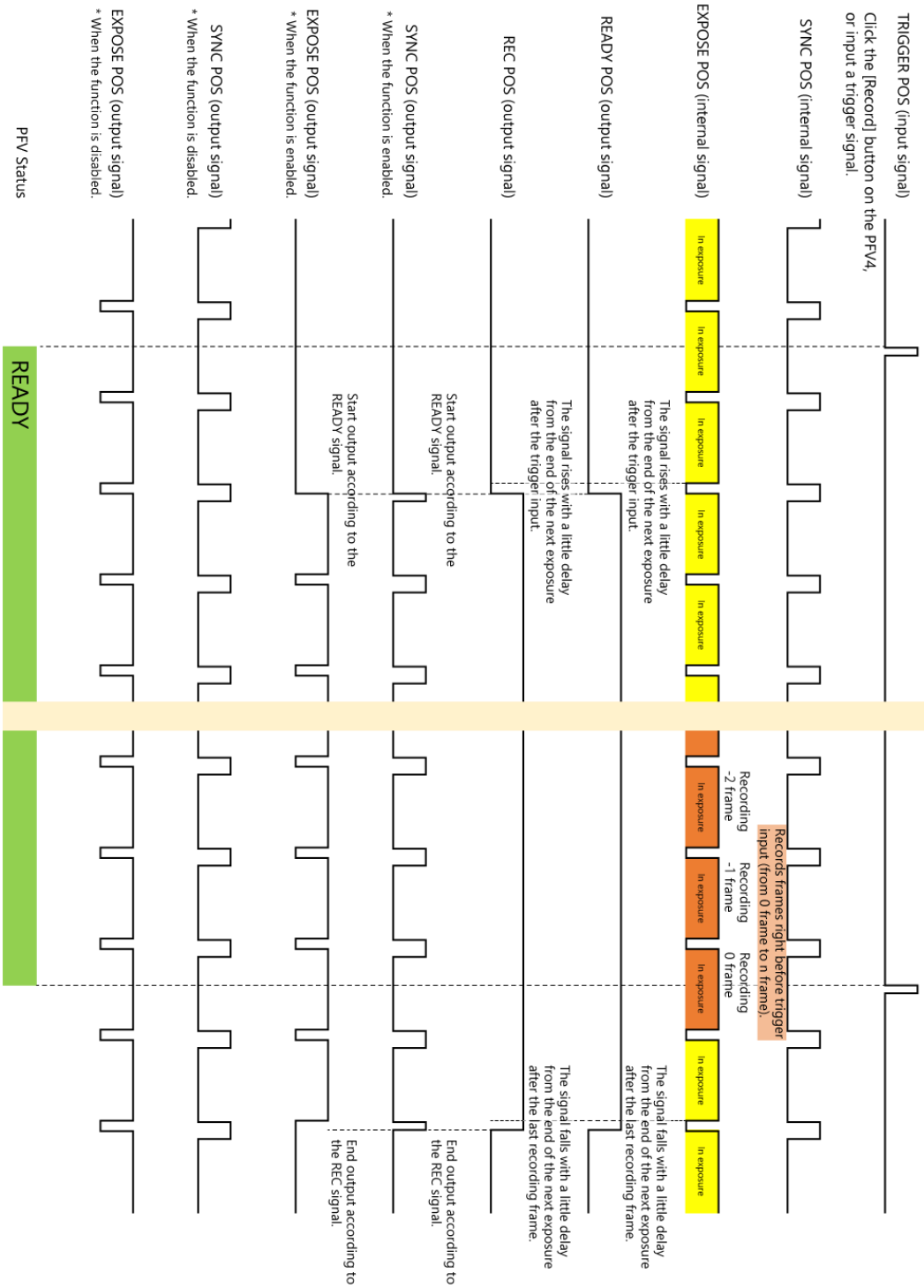
Start / Random Trigger Mode



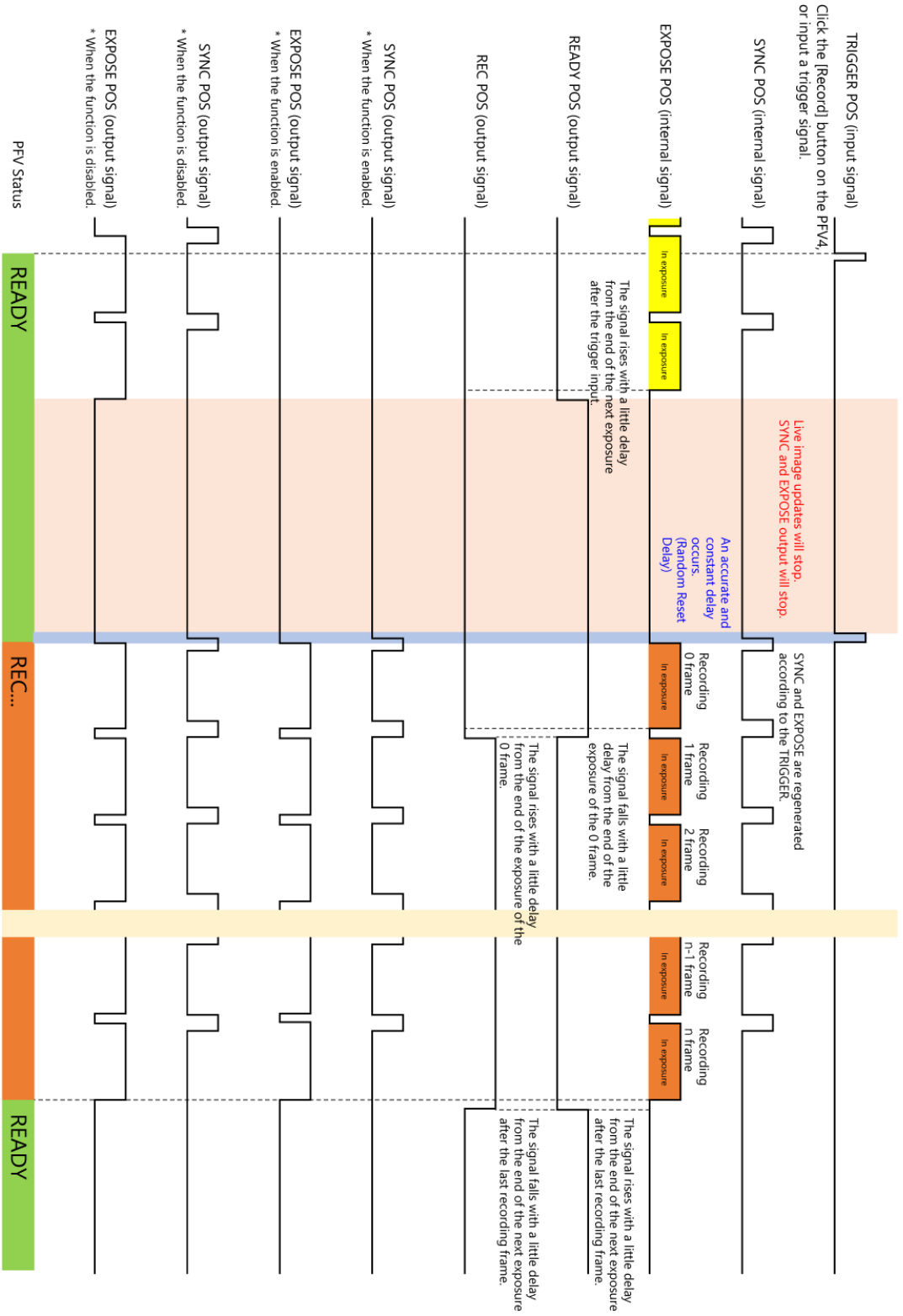
Center / Manual Trigger Mode



■ End Trigger Mode



■ Random Reset Trigger Mode



3.1.10 Random Reset Delay / Inter Frame Time

With the random reset trigger mode, the exposure starts after a certain delay from the trigger input. This delay from the trigger input is referred to as the “Random Reset Delay”.

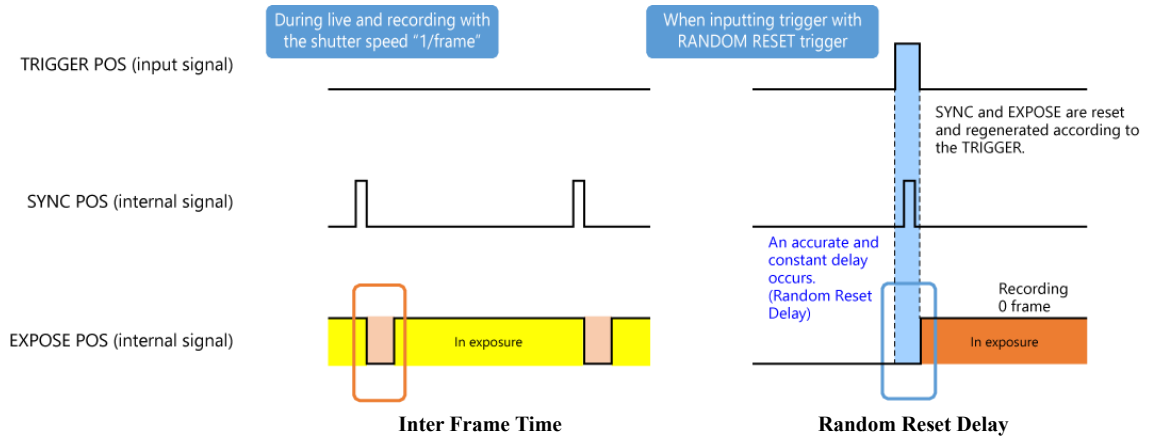
In addition, when the shutter speed is set to 1/frame, the shutter is always open numerically, but due to the characteristics of electronic shutters, a reset time is required and there is a small period of time when no exposure occurs. This time is referred to as “Inter Frame Time”.

The Inter Frame Time occurs only at 1/frame and does not occur when the shutter is released. This time can also be checked by setting the shutter speed display to “0.xxx msec” setting in PFV4.

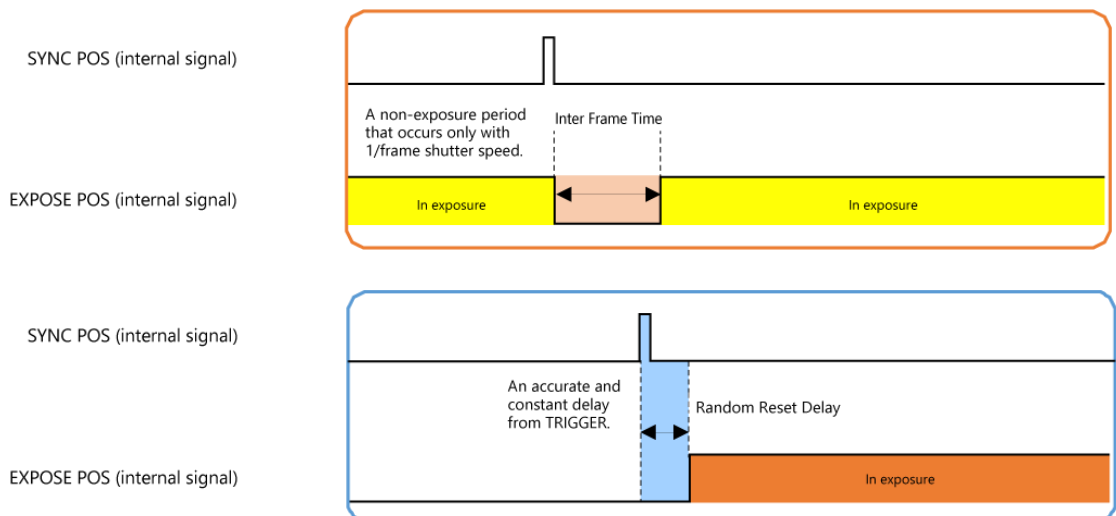
The Random Reset Delay and Inter Frame Time of this system are shown in the timing diagram below and vary depending on the specific frame rate and resolution conditions.

Refer to the two tables on the next page for specific values.

■ Overview diagrams of Inter Frame Time and Random Reset Delay



■ Enlarged diagrams of Inter Frame Time and Random Reset Delay



■ Values for each frame rate and resolution condition

◆ type S20

Mode	Color	Condition	Random Reset Delay	Inter Frame Time
Nomal Mode		For the resolution in the table below, set fps to the white cell value or less.	1.7 μsec	1.8 μsec
HS Mode1		For the resolution in the table below, set frame rate to faster than that of the white cell and to a same or slower than that of the blue cell at a time.	1.3 μsec	1.4 μsec
HS Mode2		For the resolution in the table below, set frame rate to faster than that of the blue cell and to slower than that of the orange cell at a time.	0.8 μsec	0.7 μsec

● Operating bit mode: 10bit

V Res H Res	128	112	96	80	64	48	32	16
1,024	137,500	150,000	171,875	200,000	225,000	281,250	375,000	515,625
	125,000	137,500	150,000	171,875	200,000	225,000	281,250	375,000
896	150,000	171,875	187,500	220,000	250,000	309,375	396,000	550,000
	137,500	150,000	165,000	187,500	220,000	250,000	309,375	396,000
768	165,000	187,500	206,250	225,000	281,250	343,750	412,500	562,500
	150,000	165,000	187,500	206,250	225,000	275,000	330,000	412,500
640	187,500	206,250	225,000	264,000	309,375	375,000	450,000	600,000
	171,875	187,500	206,250	225,000	264,000	300,000	360,000	440,000
512	220,000	225,000	264,000	300,000	343,750	412,500	500,000	618,750
	187,500	206,250	225,000	250,000	281,250	330,000	375,000	450,000
384	250,000	281,250	309,375	343,750	396,000	450,000	515,625	618,750
	225,000	225,000	264,000	281,250	309,375	360,000	412,500	450,000
256	300,000	330,000	360,000	396,000	450,000	515,625	600,000	618,750
	264,000	281,250	309,375	330,000	360,000	396,000	450,000	495,000
128	375,000	412,500	440,000	450,000	660,000	750,000	900,000	1,100,000
	309,375	343,750	360,000	396,000	515,625	562,500	618,750	618,750
					412,500	450,000	495,000	495,000



CAUTION

During random reset recording, trigger from either PFV or external input. If trigger is input from both, malfunction may occur.



NOTE

The same condition is applied to all models of S20.

● Operating bit mode: 12bit

V Res H Res	128	112	96	80	64	48	32	16
1,024	132,000	150,000	171,875	200,000	225,000	281,250	375,000	515,625
	125,000	137,500	150,000	171,875	200,000	225,000	281,250	375,000
896	140,625	165,000	187,500	220,000	250,000	309,375	396,000	550,000
	137,500	150,000	165,000	187,500	220,000	250,000	309,375	396,000
768	165,000	187,500	206,250	225,000	281,250	343,750	412,500	562,500
	150,000	165,000	187,500	206,250	225,000	275,000	330,000	412,500
640	187,500	206,250	225,000	264,000	309,375	375,000	450,000	600,000
	171,875	187,500	206,250	225,000	264,000	300,000	360,000	440,000
512	220,000	225,000	264,000	300,000	343,750	412,500	500,000	618,750
	187,500	206,250	225,000	250,000	281,250	330,000	375,000	450,000
384	250,000	281,250	309,375	343,750	396,000	450,000	515,625	618,750
	225,000	225,000	264,000	281,250	309,375	360,000	412,500	450,000
256	300,000	330,000	360,000	396,000	450,000	515,625	600,000	618,750
	264,000	281,250	309,375	330,000	360,000	396,000	450,000	495,000
128	375,000	412,500	440,000	450,000	660,000	750,000	900,000	1,100,000
	309,375	343,750	360,000	396,000	515,625	562,500	618,750	618,750
					412,500	450,000	495,000	495,000



CAUTION

During random reset recording, trigger from either PFV or external input. If trigger is input from both, malfunction may occur.



NOTE

The same condition is applied to all models of S20.

◆ type S16

Mode	Color	Condition	Random Reset Delay	Inter Frame Time
Nomal Mode		For the resolution in the table below, set fps to the white cell value or less.	1.7 μsec	1.8 μsec
HS Mode1		For the resolution in the table below, set frame rate to faster than that of the white cell and to a same or slower than that of the blue cell at a time.	1.3 μsec	1.4 μsec
HS Mode2		For the resolution in the table below, set frame rate to faster than that of the blue cell and to slower than that of the orange cell at a time.	0.8 μsec	0.7 μsec

V Res \ H Res	128	112	96	80	64	48	32	16
1,024	112,500	120,000	144,000	165,000	200,000	247,500	330,000	450,000
	105,600	112,500	120,000	150,000	165,000	200,000	247,500	330,000
896	120,000	137,500	160,000	180,000	220,000	264,000	352,000	495,000
	112,500	120,000	144,000	160,000	180,000	225,000	275,000	360,000
768	137,500	158,400	180,000	200,000	240,000	288,000	360,000	528,000
	120,000	137,500	158,400	180,000	200,000	240,000	288,000	360,000
640	160,000	176,000	200,000	225,000	264,000	316,800	412,500	550,000
	144,000	158,400	176,000	200,000	225,000	264,000	316,800	400,000
512	180,000	200,000	225,000	247,500	300,000	360,000	450,000	550,000
	165,000	180,000	200,000	225,000	247,500	288,000	330,000	412,500
384	211,200	240,000	264,000	300,000	330,000	400,000	495,000	600,000
	180,000	200,000	225,000	247,500	288,000	330,000	360,000	450,000
256	264,000	288,000	316,800	352,000	400,000	450,000	550,000	600,000
	225,000	247,500	264,000	300,000	330,000	360,000	412,500	495,000
128	330,000	360,000	396,000	412,500	600,000	660,000	825,000	1,100,000
	288,000	300,000	330,000	360,000	480,000	528,000	600,000	600,000
					360,000	412,500	450,000	495,000



CAUTION

During random reset recording, trigger from either PFV or external input. If trigger is input from both, malfunction may occur.



NOTE

The same condition is applied to all models of S16.

◆ type S6/9/12

Mode	Color	Condition	Random Reset Delay	Inter Frame Time
Nomal Mode		For the resolution in the table below, set fps to the white cell value or less.	1.8 μsec	2.0 μsec
HS Mode1		For the resolution in the table below, set frame rate to faster than that of the white cell and to a same or slower than that of the blue cell at a time.	1.3 μsec	1.5 μsec
HS Mode2		For the resolution in the table below, set frame rate to faster than that of the blue cell and to slower than that of the orange cell at a time.	0.9 μsec	0.8 μsec

V Res \ H Res	128	112	96	80	64	48	32	16
1,024	100,000	100,000	125,000	144,000	160,000	200,000	250,000	375,000
	80,000	96,000	100,000	125,000	144,000	160,000	200,000	250,000
896	100,000	120,000	125,000	160,000	187,500	225,000	288,000	400,000
	96,000	100,000	120,000	125,000	150,000	180,000	225,000	288,000
768	120,000	125,000	150,000	160,000	200,000	250,000	320,000	400,000
	100,000	115,200	125,000	150,000	160,000	200,000	240,000	300,000
640	125,000	150,000	160,000	200,000	225,000	250,000	320,000	480,000
	120,000	125,000	144,000	160,000	187,500	200,000	250,000	320,000
512	160,000	160,000	200,000	225,000	250,000	320,000	375,000	500,000
	125,000	150,000	160,000	187,500	200,000	240,000	288,000	360,000
384	187,500	200,000	225,000	250,000	300,000	360,000	400,000	576,000
	160,000	160,000	192,000	200,000	240,000	250,000	320,000	375,000
256	225,000	250,000	250,000	320,000	360,000	400,000	500,000	576,000
	187,500	200,000	225,000	250,000	250,000	300,000	360,000	400,000
128	288,000	320,000	320,000	375,000	500,000	576,000	750,000	1,000,000
	225,000	250,000	250,000	300,000	400,000	500,000	576,000	576,000
					320,000	360,000	400,000	450,000



CAUTION

During random reset recording, trigger from either PFV or external input. If trigger is input from both, malfunction may occur.



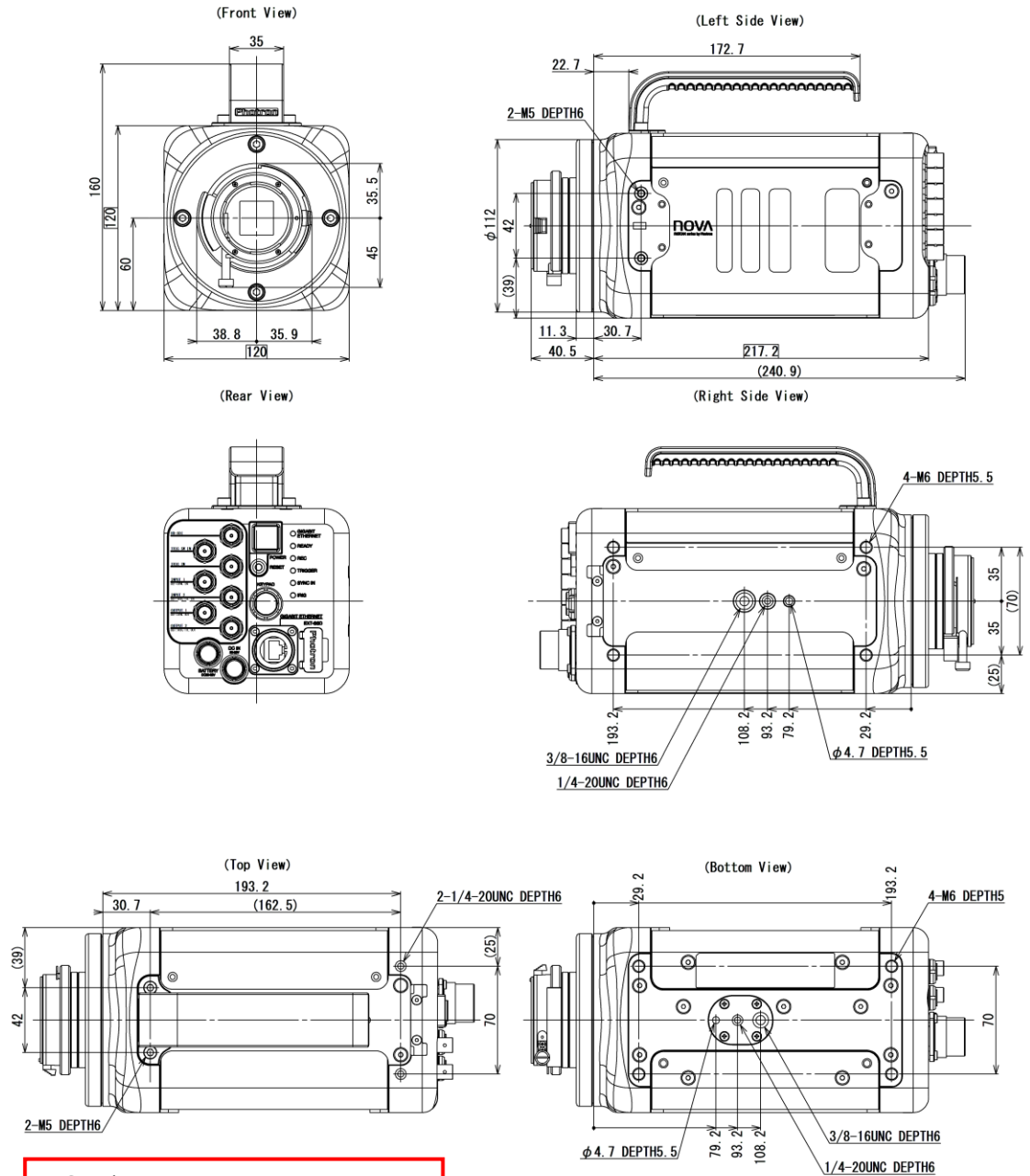
NOTE

The same condition is applied to all models of S12, S9, and S6.

3.2 Dimensions

3.2.1 Camera Body

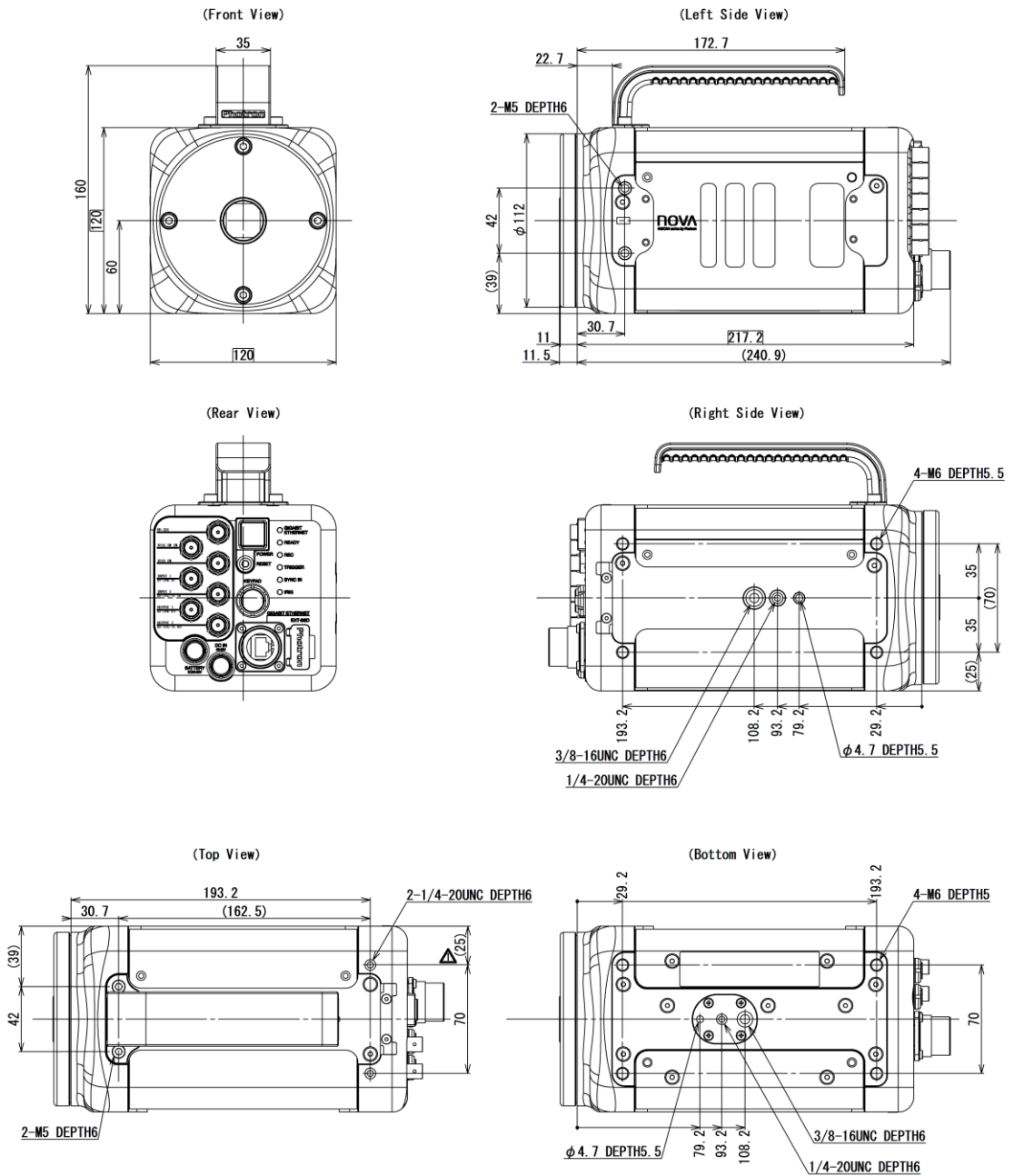
- ◆ FASTCAM Nova (G type F mount, without FAST Drive holder)
(mm)



* Caution

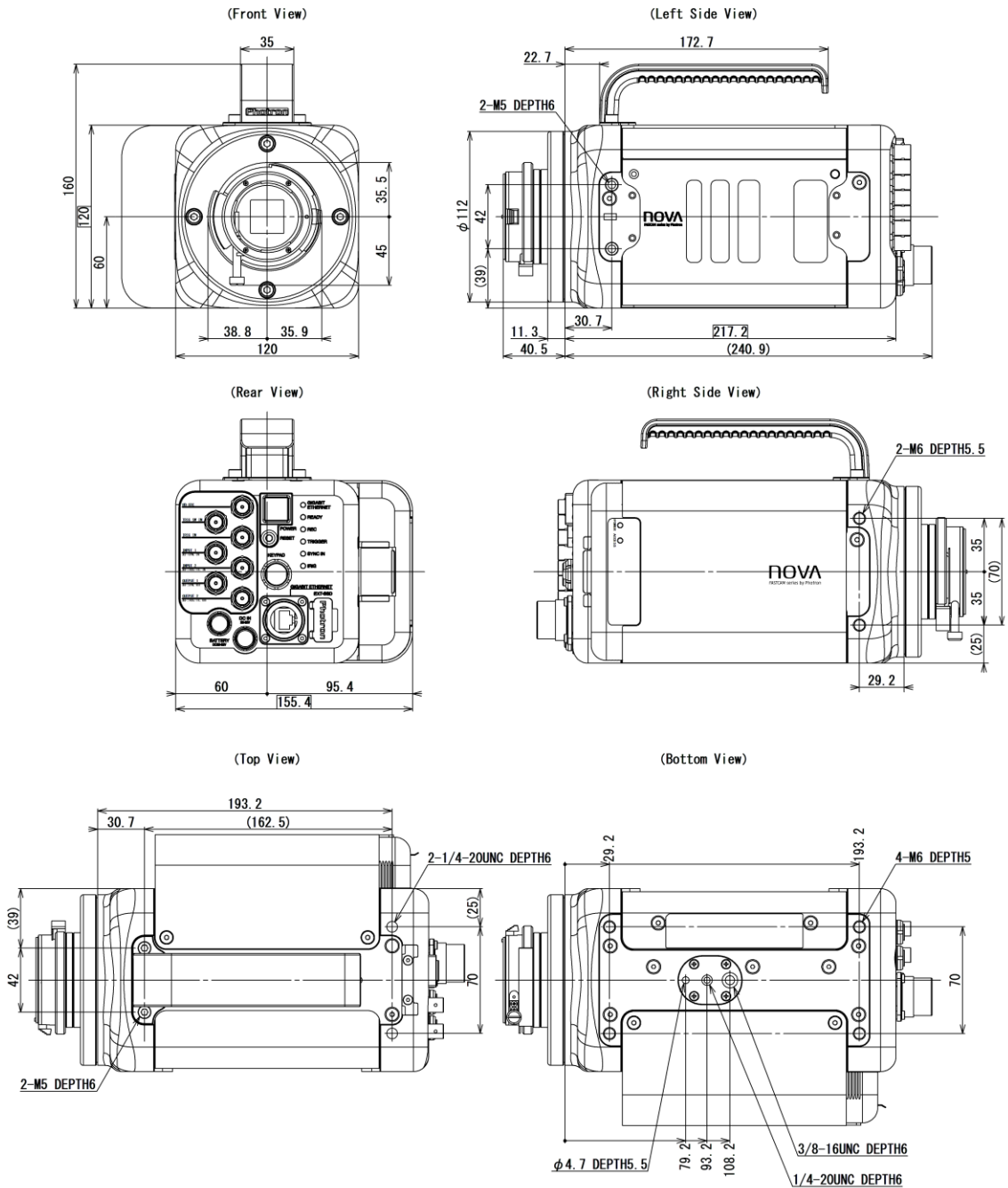
If a screw that is longer than the specified length is forced into the hole, the screw hole and/or the camera may be damaged.

◆ FASTCAM Nova (C mount, without FAST Drive holder)
(mm)



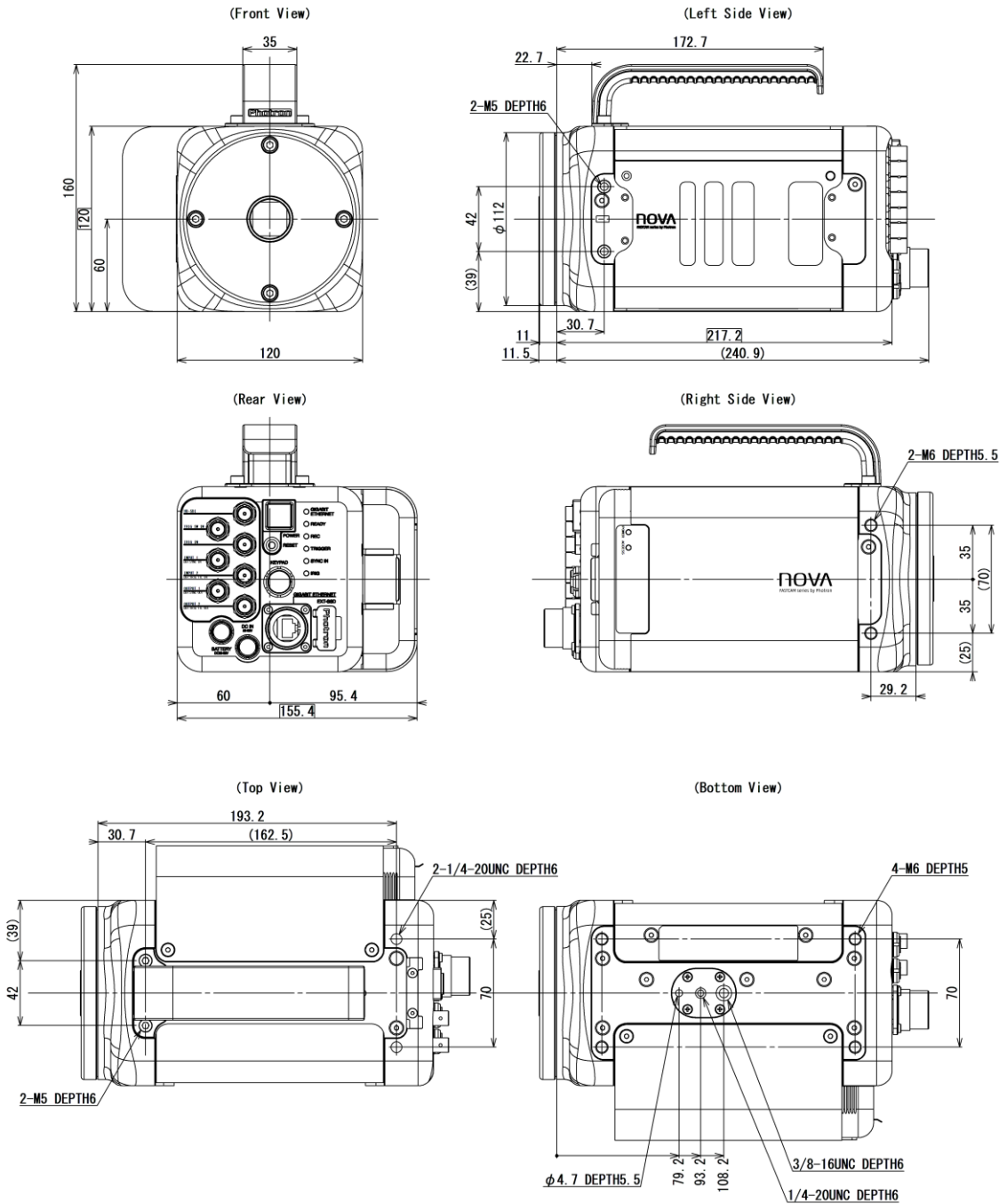
*** Caution**
If a screw that is longer than the specified length is forced into the hole, the screw hole and/or the camera may be damaged.

◆ FASTCAM Nova (G type F mount, with FAST Drive holder)
(mm)



* Caution
If a screw that is longer than the specified length is forced into the hole, the screw hole and/or the camera may be damaged.

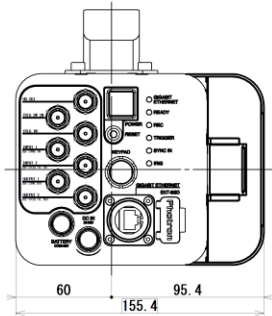
◆ FASTCAM Nova (C mount, with FAST Drive holder)
(mm)



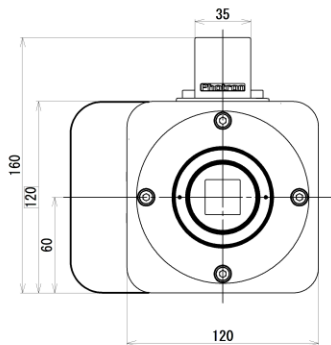
* Caution
If a screw that is longer than the specified length is forced into the hole, the screw hole and/or the camera may be damaged.

◆ FASTCAM Nova (M42 mount, with FAST Drive holder)
(mm)

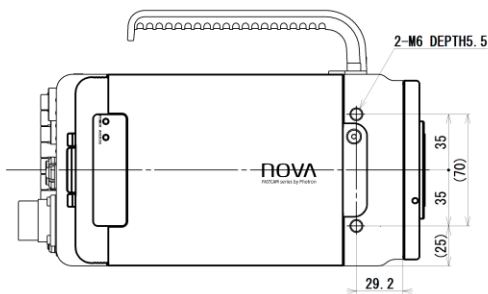
(Rear View)



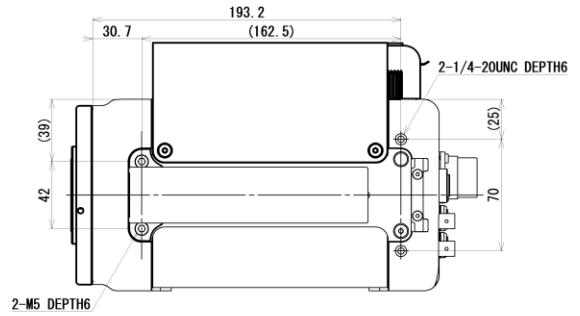
(Front View)



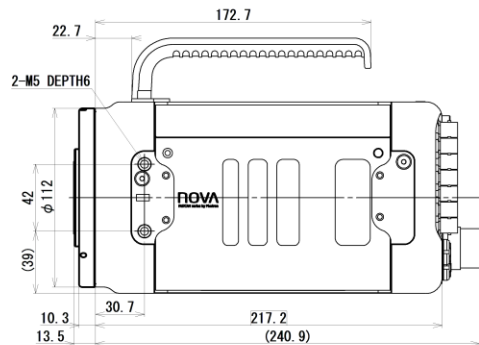
(Right Side View)



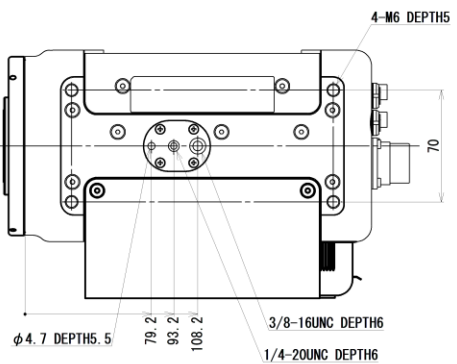
(Top View)



(Left Side View)

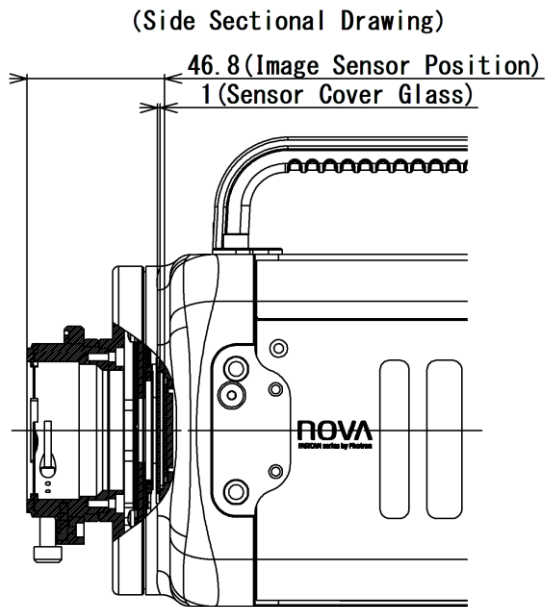


(Bottom View)

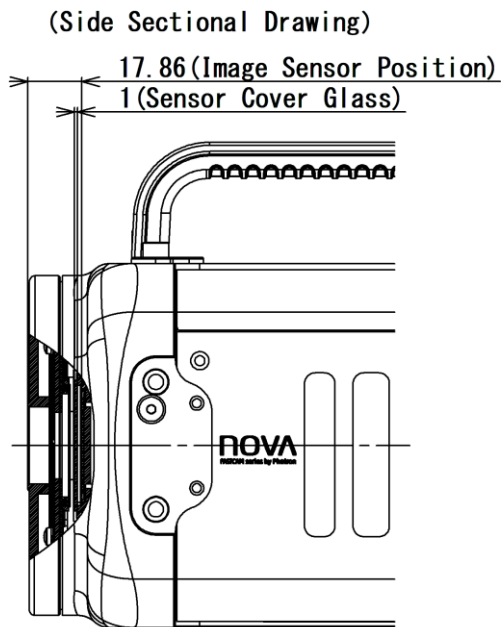


*** Caution**
If a screw that is longer than the specified length is forced into the hole, the screw hole and/or the camera may be damaged.

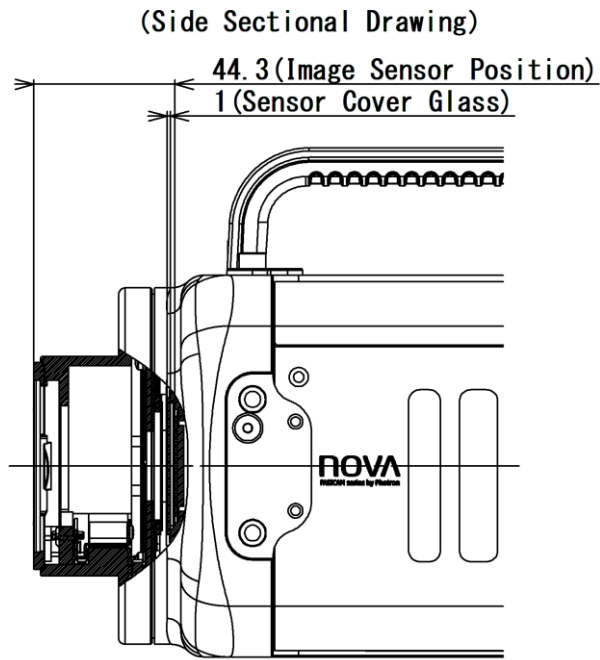
- ◆ Sensor position (G type F mount)
(mm)



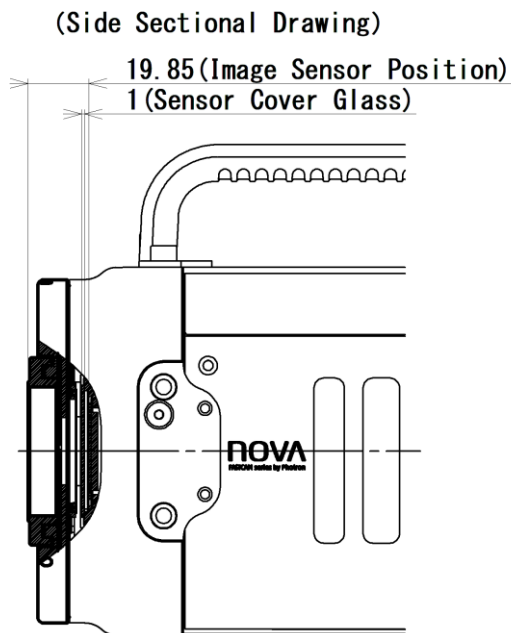
- ◆ Sensor position (C mount)
(mm)



- ◆ Sensor position (EF mount)
(mm)

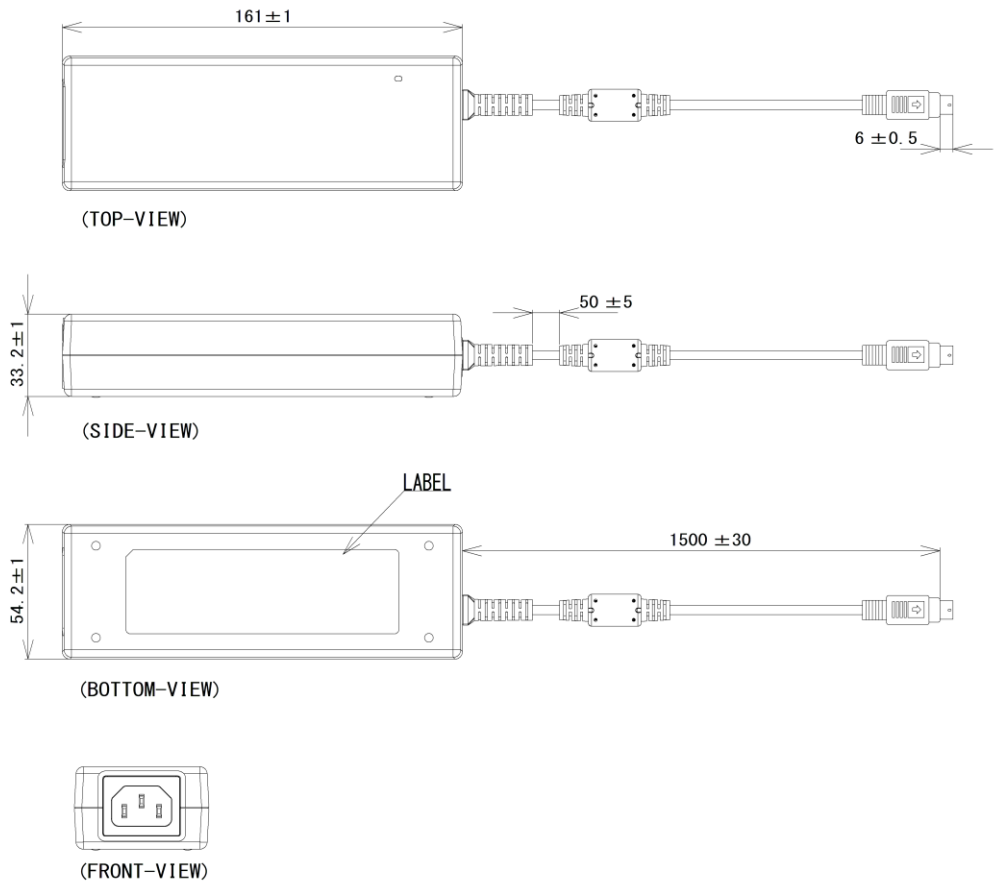


- ◆ Sensor position (M42 mount)
(mm)



3.2.2 AC Adapter

(mm)



4

Chapter 4 Warranty

This chapter explains about the warranty.

4.1 About the Warranty

This system has been shipped having undergone rigorous testing. However, in the unlikely event that it malfunctions due to a manufacturing defect, it will be repaired, at no charge, within the warranty period.

◆ Warranty Exceptions

The following exceptions will result in fee-based repair, even within the warranty period.

1. Damage or malfunction as a result of fire, earthquake, water damage, lightning, other natural disasters, pollution, or the effects of abnormal voltage.
2. Damage or malfunction as a result of dropping or mishandling during shipment or when moving after purchase or misuse.
3. Consumable goods (cables)
4. When repair, adjustment, or alternation done by an entity other than Photron service has been performed on the system, or damage or malfunction that is determined to be attributed to a fault in the use the product.

For inquires related to malfunction, contact the dealer where the product was purchased, or the nearest Photron office.



REFERENCE

For inquires related to our product, refer to “5.1 Contact Information” on page 102.

5

Chapter 5 Contacting Photron

This chapter lists the contact information to use when contacting Photron if the system malfunctions or if a portion of the manual is unclear.

5.1 Contact Information

For inquiries related to FASTCAM Nova S series, contact Photron at one of the contact points listed below.

Additionally, the following items will be required for verification when inquiring. You are kindly asked to prepare them in advance.

Items Verified	Required Information
Contact Information	Company, school or organization name, customer contact name, contact phone number, contact e-mail address.
Product Name	FASTCAM Nova S6 / S9 / S12 / S16 / S20
Serial Number	Shown in the nameplate seal.
Condition of the system, nature of problem, etc.	

Contact Information	
In Americas and Antipodes	PHOTRON USA, INC. 9520 Padgett Street, Suite 110, San Diego, CA 92126-4426, USA Phone: +1 (800) 585 2129 or +1 (858) 684 3555 Fax: +1 (858) 684 3558 E-mail: image@photron.com Web: www.photron.com
In UK, Africa and India	PHOTRON (EUROPE) LIMITED The Barn, Bottom Road, West Wycombe, Buckinghamshire HP14 4BS, U.K. Phone: +44 (0) 1494 48 1011 Fax: +44 (0) 1494 48 7011 E-mail: image@photron.com Web: www.photron.com
In Europe outside the UK	Photron Deutschland GmbH Ziegelweg 3, 72764 Reutlingen, Germany Phone: +49 (0) 7121 699 7950 Fax: +49 (0) 7121 699 7943 E-mail: image@photron.com Web: www.photron.com
In China	PHOTRON (SHANGHAI) LIMITED Room 20C Zhao-Feng World Trade Building, No. 369 Jiangsu Road Chang Ning District, Shanghai 200050, China Phone: +86 (21) 5268 3700 Fax: +86 (21) 5268 3702 E-mail: info@photron.cn.com Web: www.photron.cn.com
In other areas	PHOTRON LIMITED 21F, Jimbocho Mitsui Bldg., 1-105 Kanda Jimbocho, Chiyoda-Ku, Tokyo 101-0051, Japan Phone: +81 (3) 3518 6271 Fax: +81 (3) 3518 6279 E-mail: image@photron.co.jp Web: www.photron.co.jp

A

A. Appendix

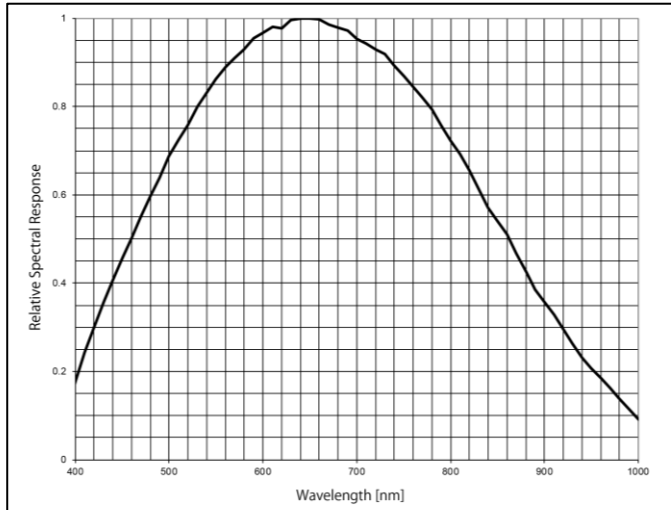
A.1. Reference Information



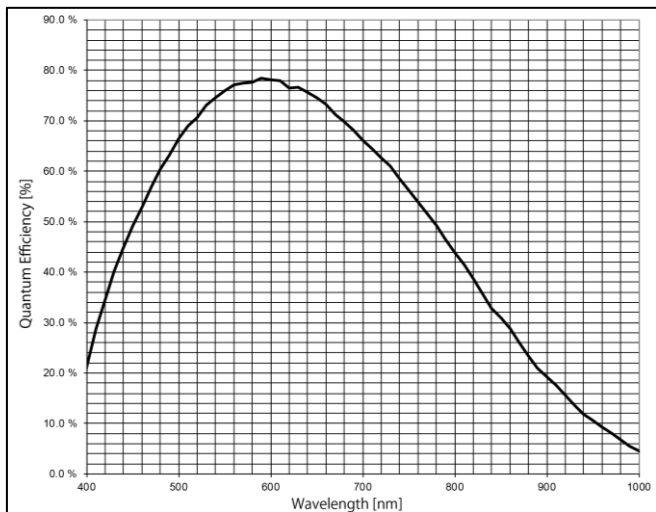
CAUTION

The spectrum response curve and the quantum efficiency curve are nominal (reference) data of the image sensor device.

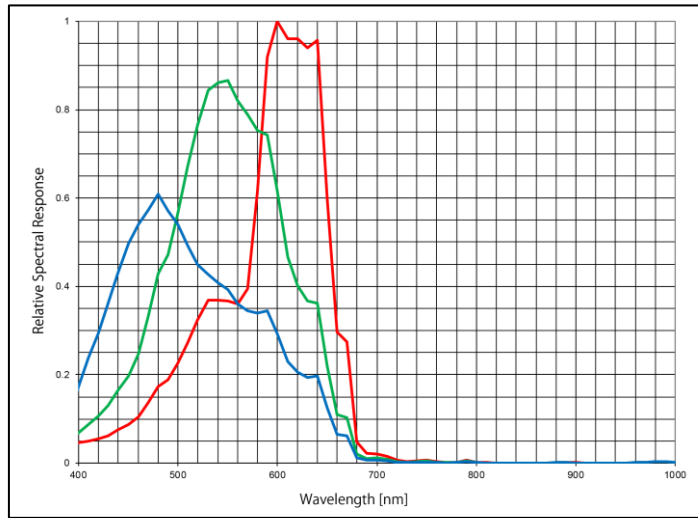
A.1.1 Relative Spectral Response (Monochrome)



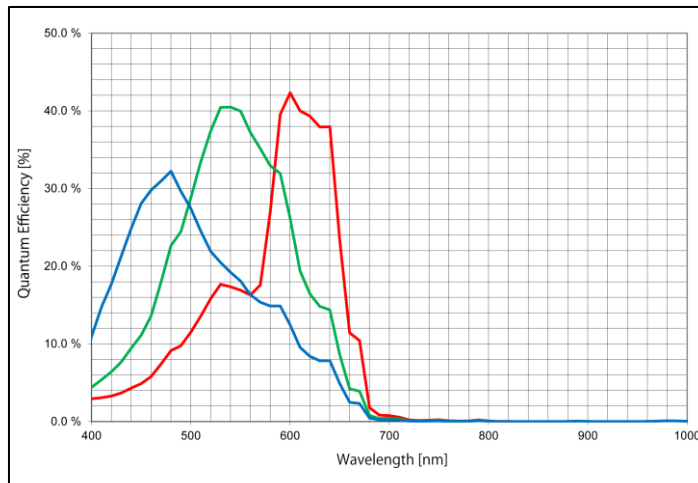
A.1.2 Quantum Efficiency (Monochrome)



A.1.3 Relative Spectral Response (Color)



A.1.4 Quantum Efficiency (Color)



FASTCAM Nova S series

Hardware Manual Rev. 4.17 E

Last Updated	March 2024
Written by	PHOTRON LIMITED 21F, Jinbocho Mitsui Bldg., 1-105 Kanda Jimbocho, Chiyoda-Ku, Tokyo 101-0051, Japan